



SUNDOR 5000 SLIDING GLASS DOOR "Large Missile Impact"

GENERAL NOTES

1. This product has been evaluated and is in compliance with the 2010 Florida Building Code (FBC) structural requirements excluding the "High Velocity Hurricane Zone".
2. Product anchors shall be as listed and spaced as shown on details. Anchor embedment to base material shall be beyond wall dressing or stucco.
3. When used in areas requiring wind borne debris protection this product complies with Section 1609.1.2 of the 2010 FBC and does not require an impact resistant covering. This product meets missile level "D" and includes Wind Zone 4 as defined in ASTM E 1996 and Section 1609.1.2.4 of the FBC.
4. Site conditions that deviate from the details of this drawing require further engineering analysis by a licensed engineer or registered architect.

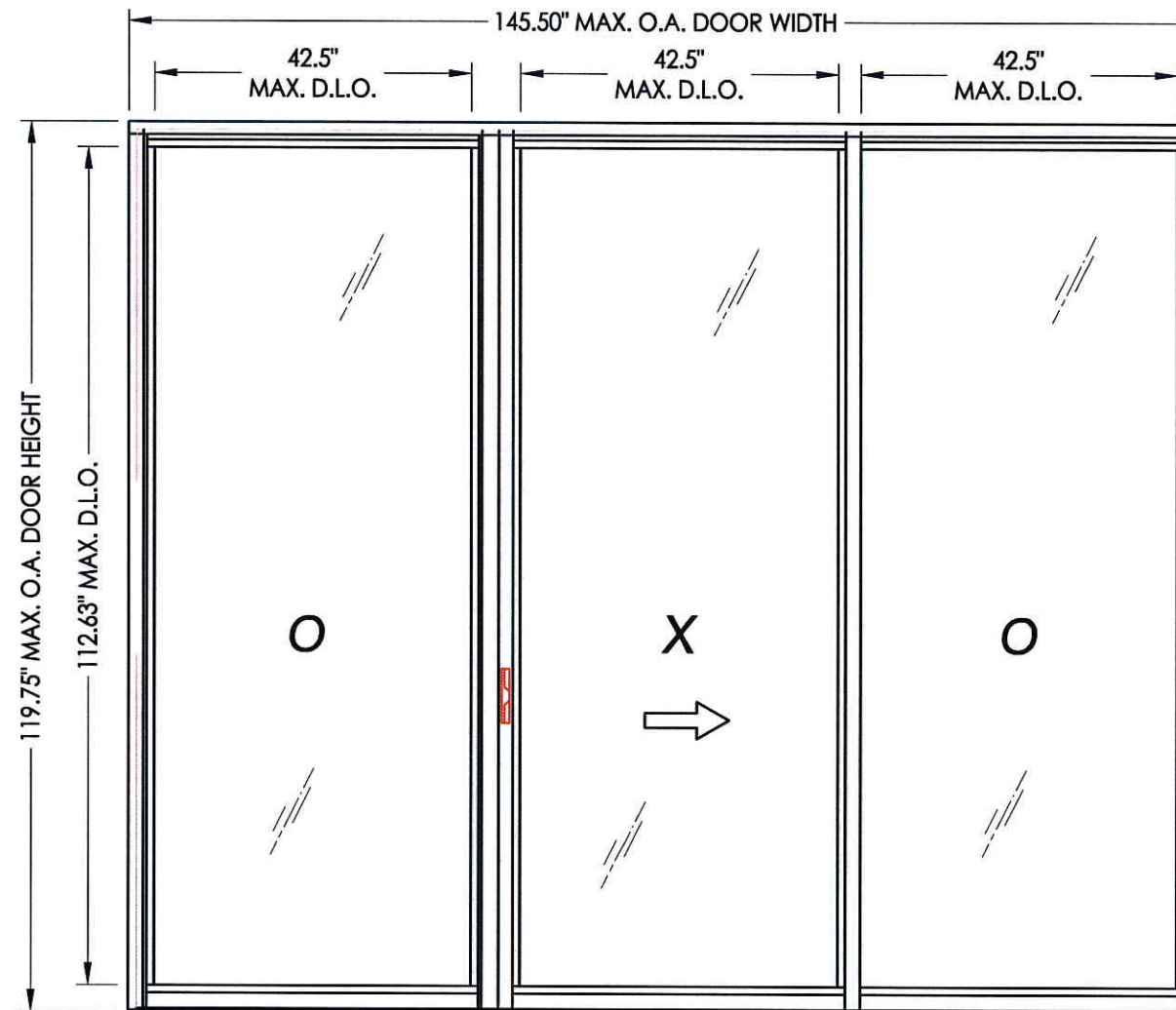


TABLE OF CONTENTS	
SHEET #	DESCRIPTION
1	TYPICAL ELEVATIONS, DESIGN PRESSURES & GENERAL NOTES
2	DOOR PANEL SECTIONS
3	DOOR PANEL SECTIONS
4	SIDELITE PANEL SECTIONS
5	CORNER DETAILS
6	HORIZONTAL CROSS SECTIONS
7	VERTICAL CROSS SECTIONS
8	ANCHORING - CONCRETE SUBSTRATE
9	ANCHORING - STEEL SUBSTRATE
10	COMPONENTS
11	BILL OF MATERIALS & COMPONENTS

O.A. FRAME DIMENSION	D.L.O. DIMENSION	REINFORCED	GLASS TYPE	DESIGN PRESSURE (PSF)	
				POSITIVE	NEGATIVE
145.40" x 119.75"	42.50" x 112.63"	YES	G3, G4	100.0	100.0
145.50" x 119.75"	42.50" x 112.63"	NO	G1, G2 G3, G4	70.0	75.0

Documents Prepared By:
RW BUILDING CONSULTANTS, INC.
 P.O. Box 230 Valrico FL 33595
 Phone No.: 813.659.9197
 Florida Board of Professional Engineers
 Certificate Of Authorization No. 9813
LFS 8.27.12
 Lyndon F. Schmidt, P.E. No. 43409

PRODUCT: SLIDING GLASS DOOR

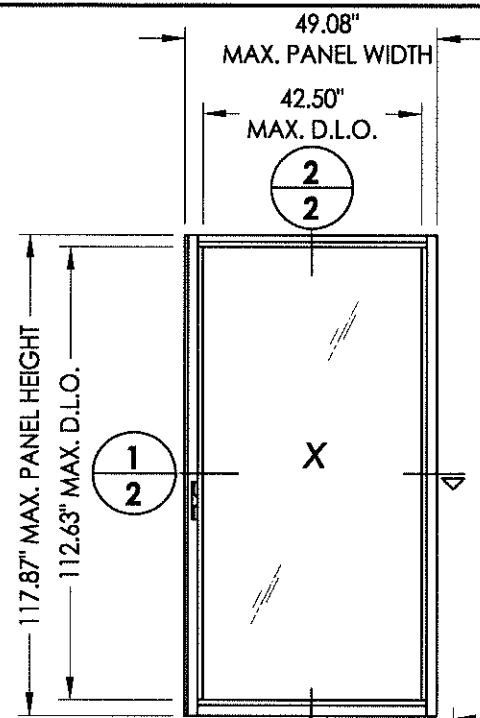
PART OR ASSEMBLY: TYPICAL ELEVATION, DESIGN PRESSURES & GENERAL NOTES

NO.	DATE	BY	REVISIONS

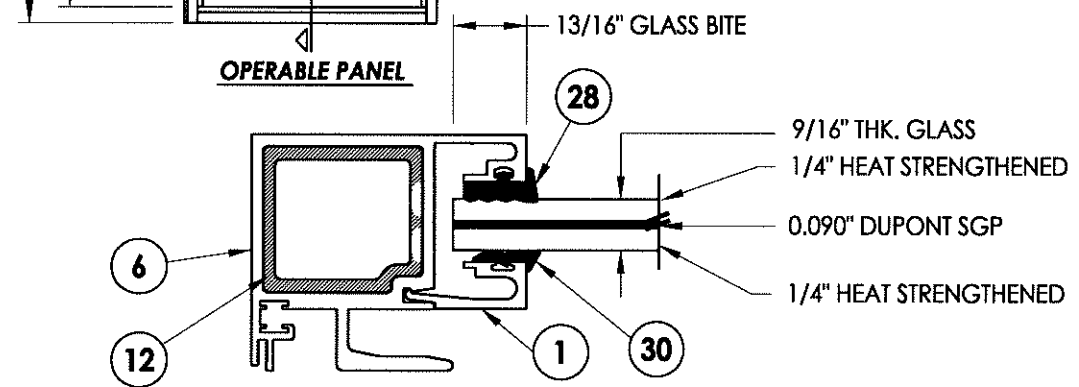
DATE: 8/24/12
 SCALE: N.T.S.
 DWG. BY: JK
 CHK. BY: LFS
 DRAWING NO.: FL-15903.9
 SHEET 1 OF 11

© 2012 R.W. BUILDING CONSULTANTS INC.

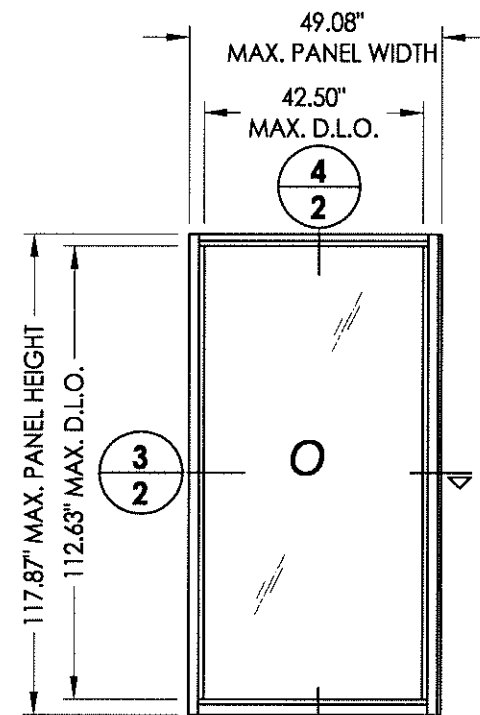
R:\A - Projects\Project Folders\Proj 1601 - 1700\PF 1692\D. RWBC Drawings\FL-15903.3-12.dwg, 2.9



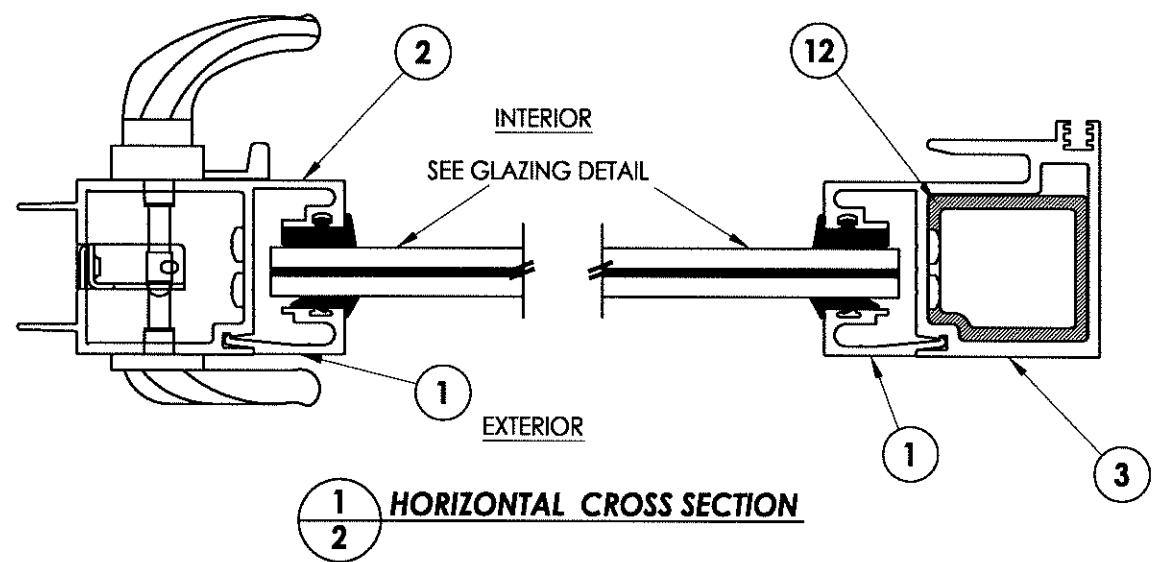
OPERABLE PANEL



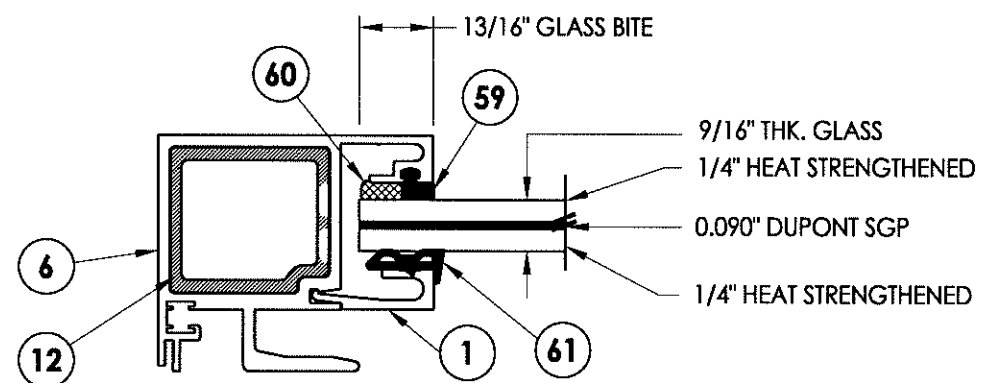
G2 GLAZING DETAIL (DRY GLAZED)
MONOLITHIC
9/16" LAMINATED GLASS



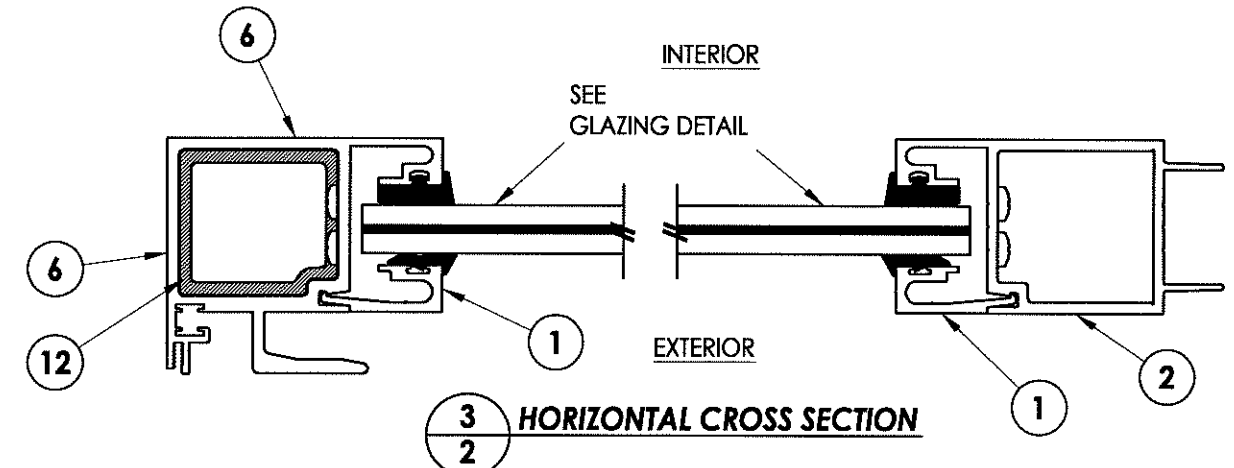
FIXED PANEL



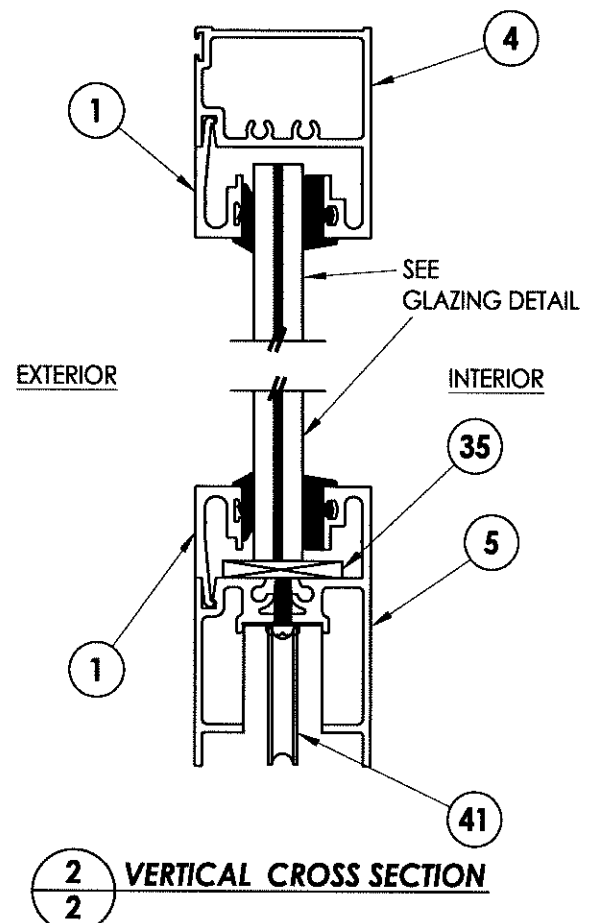
1 HORIZONTAL CROSS SECTION



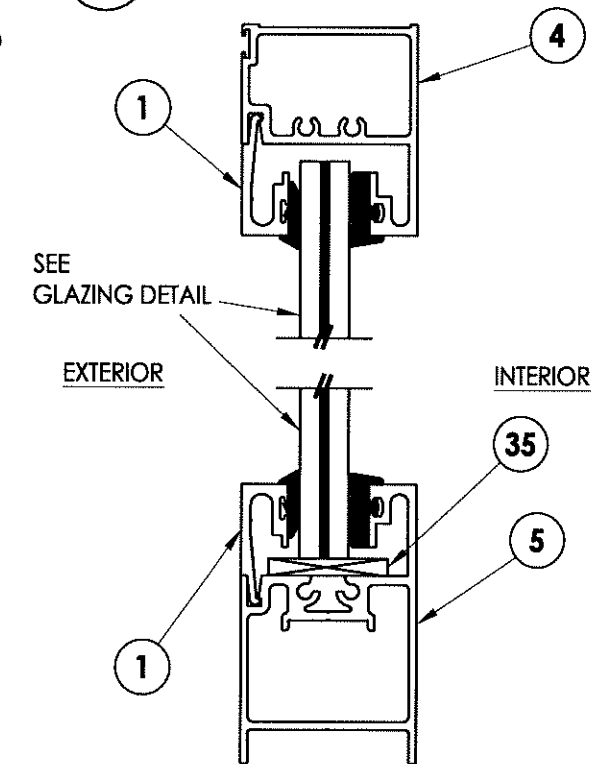
G3 GLAZING DETAIL (WET GLAZED)
MONOLITHIC
9/16" LAMINATED GLASS



3 HORIZONTAL CROSS SECTION



2 VERTICAL CROSS SECTION



4 VERTICAL CROSS SECTION

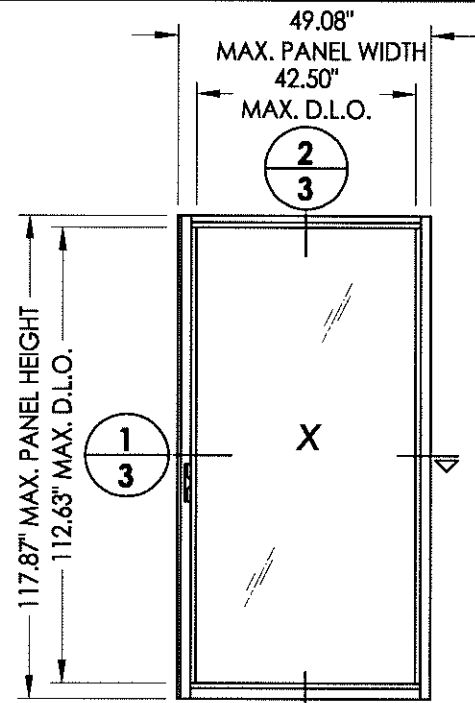
Documents Prepared By: **RW BUILDING CONSULTANTS, INC.**
 P.O. Box 230 Valrico FL 33595
 Phone No.: 813.659.9197
 Florida Board of Professional Engineers
 Certificate of Authorization No. 9813
 Lyndon F. Schmidt, P.E. No. 43409

PRODUCT: SLIDING GLASS DOOR	
PART OR ASSEMBLY: DOOR PANEL SECTIONS	
NO.	DATE
BY	REVISIONS

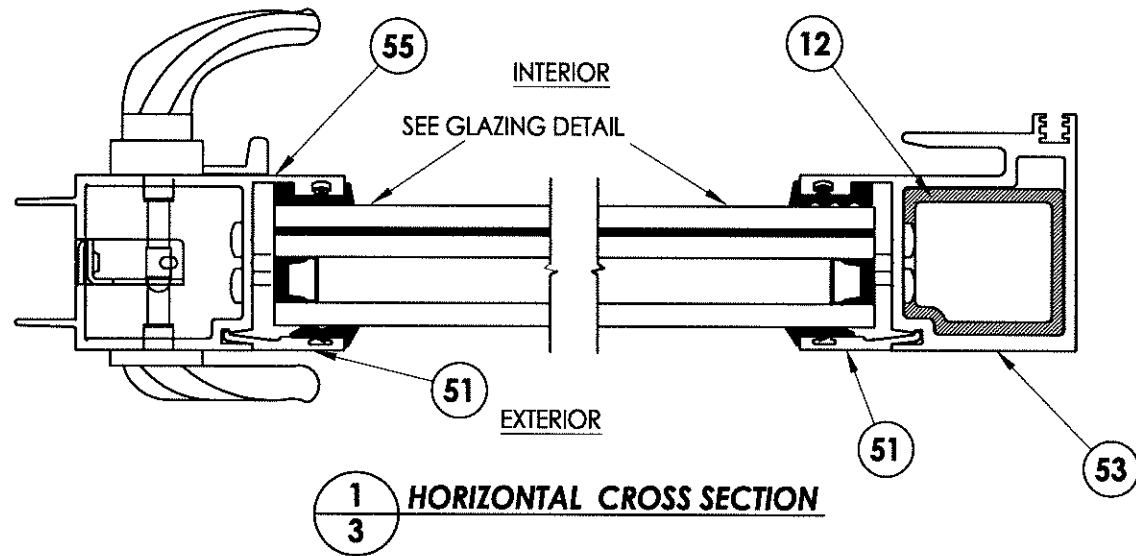
DATE:	8/24/12
SCALE:	N.T.S.
DWG. BY:	JK
CHK. BY:	LFS
DRAWING NO.:	FL-15903.9
SHEET	2 OF 11

© 2012 R.W. BUILDING CONSULTANTS INC.

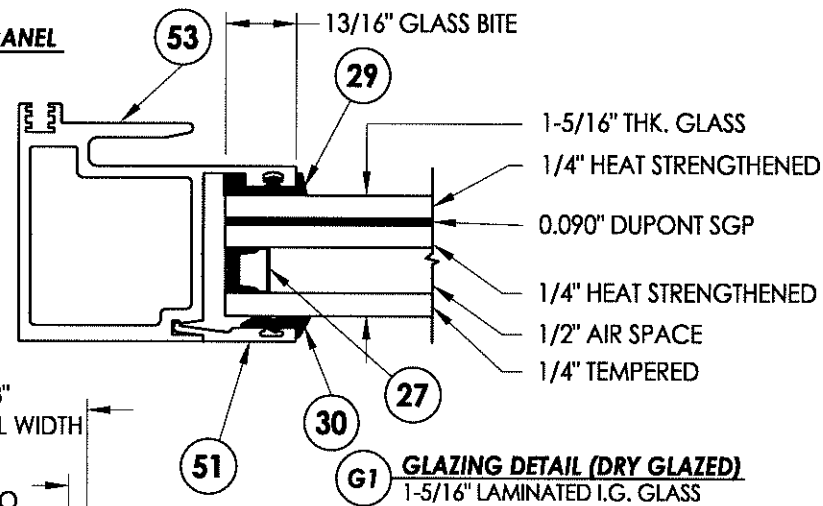
R:\A - Projects\Project Folders\Proj 1601 - 1700\PF 1692\D. RWBC Drawings\FL-15903.3-12.dwg, 3.9



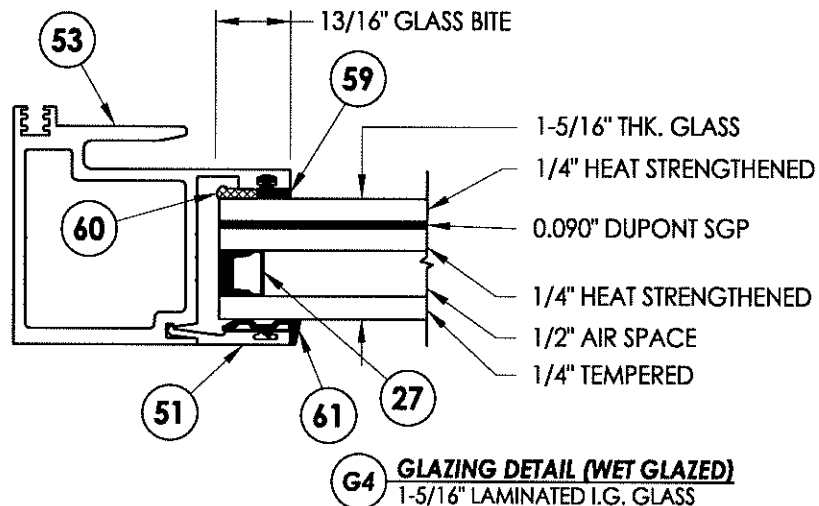
OPERABLE PANEL



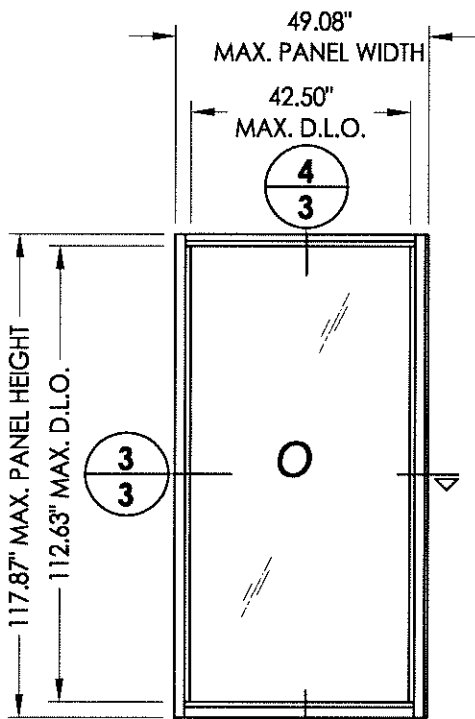
1/3 HORIZONTAL CROSS SECTION



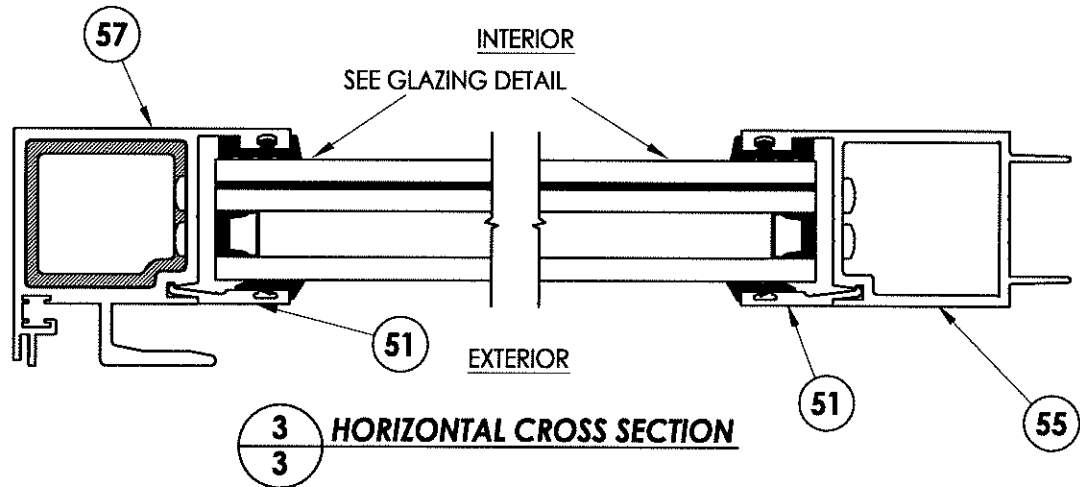
G1 GLAZING DETAIL (DRY GLAZED)
1-5/16" LAMINATED I.G. GLASS



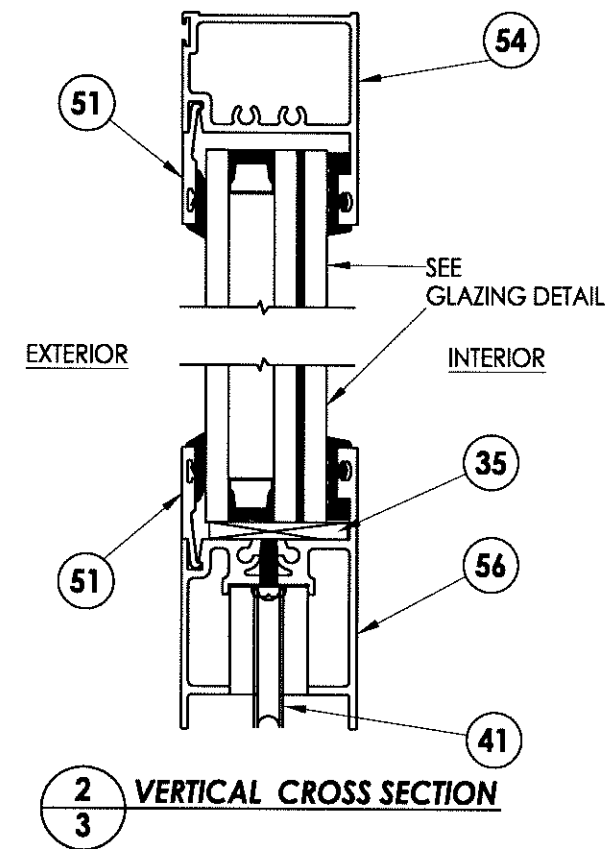
G4 GLAZING DETAIL (WET GLAZED)
1-5/16" LAMINATED I.G. GLASS



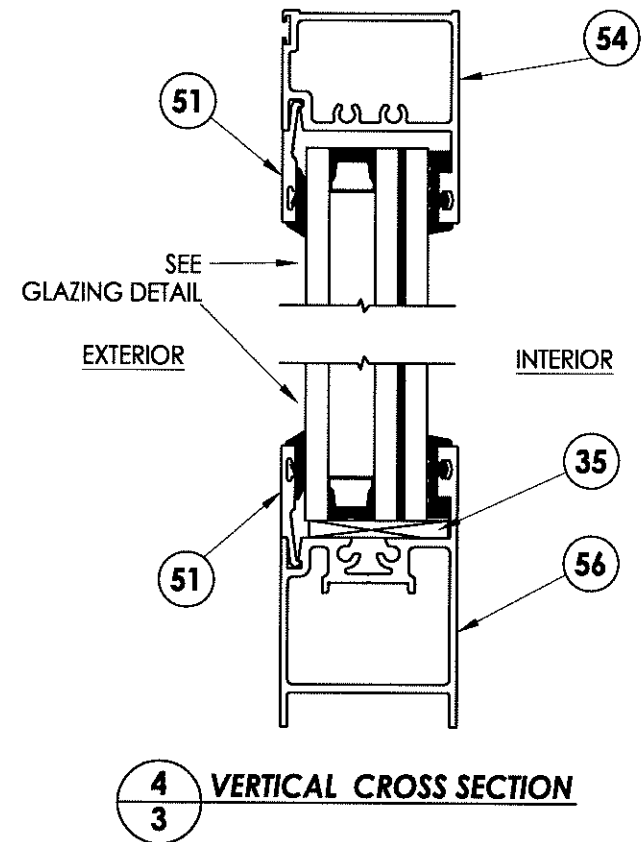
FIXED PANEL



3/3 HORIZONTAL CROSS SECTION



2/3 VERTICAL CROSS SECTION



4/3 VERTICAL CROSS SECTION

PRODUCT:

SLIDING GLASS DOOR

PART OR ASSEMBLY:

DOOR PANEL SECTIONS

NO. DATE BY

REVISIONS

DATE: 8/24/12

SCALE: N.T.S.

DWG. BY: JK

CHK. BY: LFS

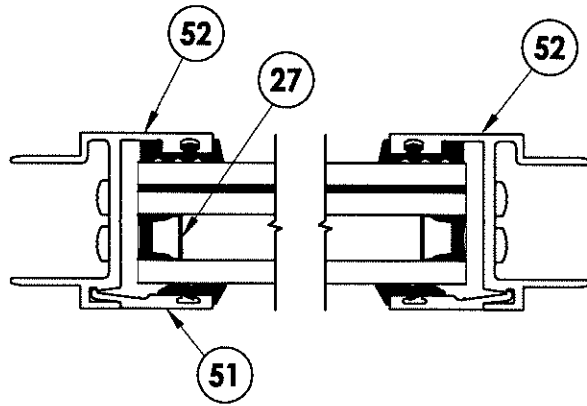
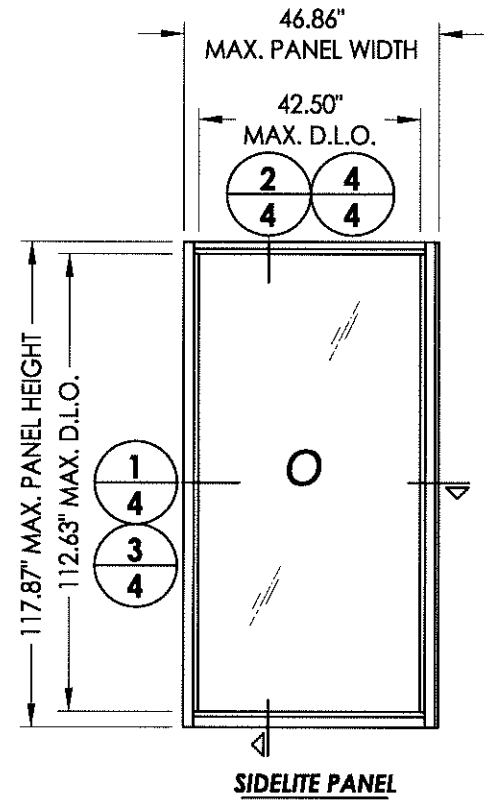
DRAWING NO.:

FL-15903.9

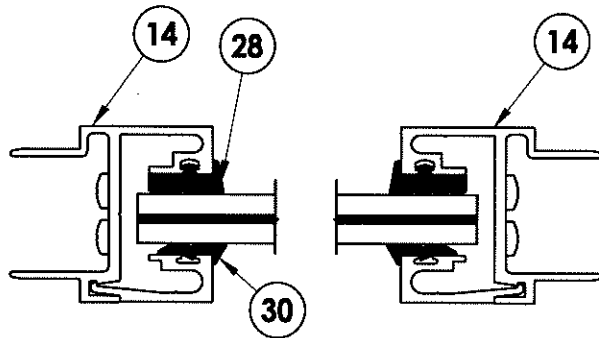
SHEET 3 OF 11

Documents Prepared By:

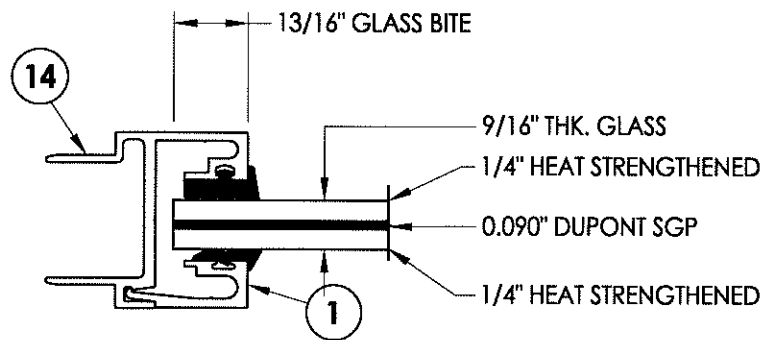
RW BUILDING CONSULTANTS, INC.
P.O. Box 230 Vainco FL 33595
Phone No.: 813.659.9197
Florida Board of Professional Engineers
Certificate Of Authorization No. 9813
Lyndon F. Schmidt, P.E. No. 43409



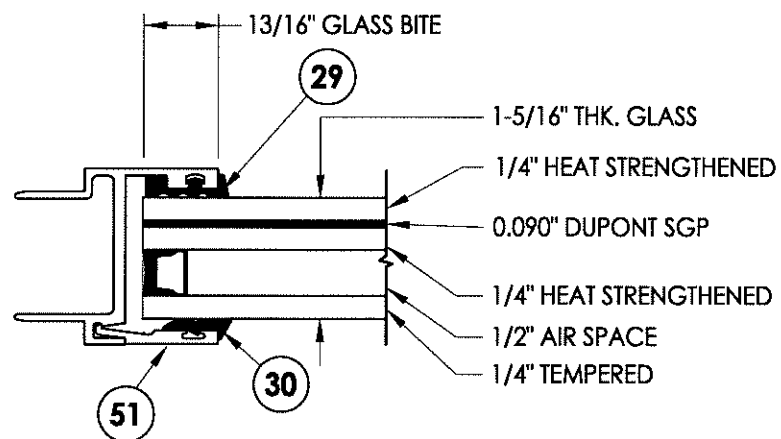
1
4 HORIZONTAL CROSS SECTION



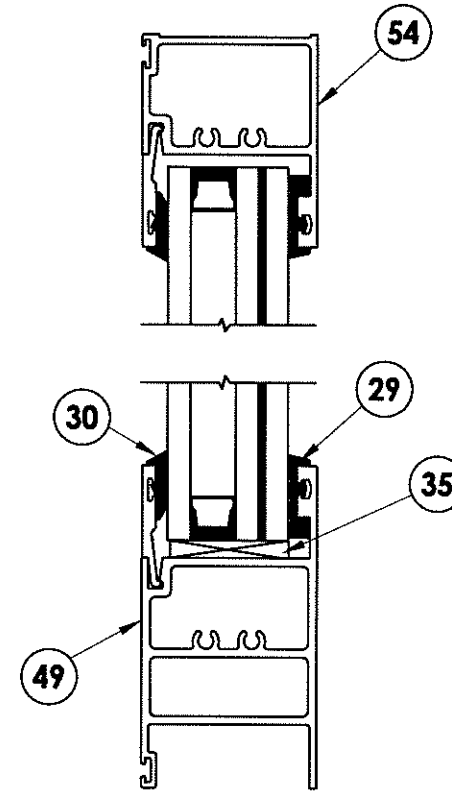
3
4 HORIZONTAL CROSS SECTION



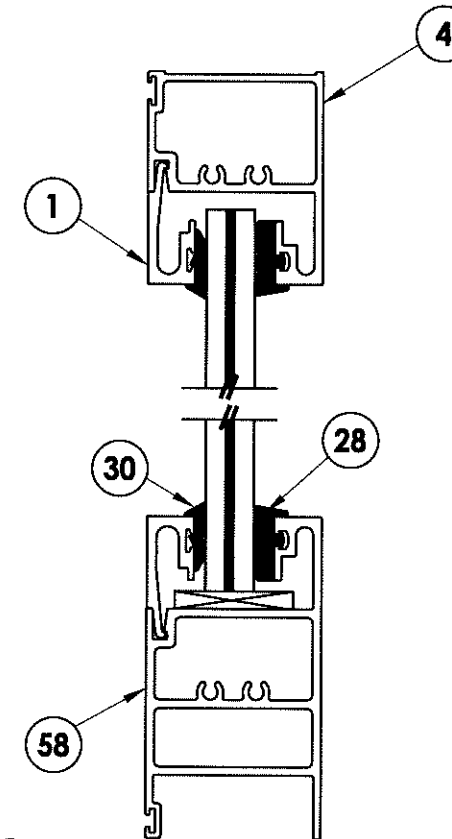
G2 GLAZING DETAIL
MONOLITHIC
9/16" LAMINATED GLASS



G1 GLAZING DETAIL
1-5/16" LAMINATED I.G. GLASS



2
4 VERTICAL CROSS SECTION



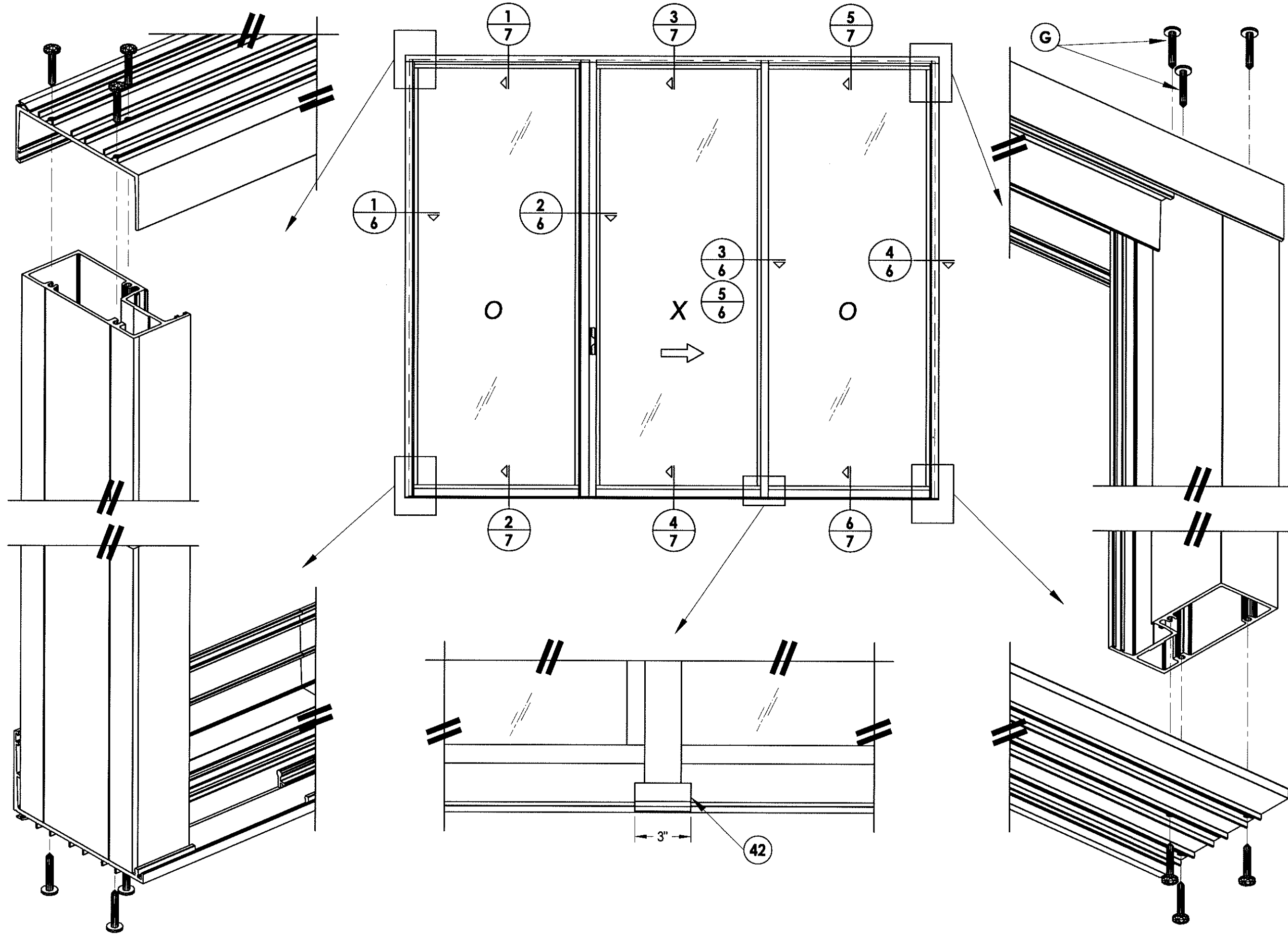
4
4 VERTICAL CROSS SECTION

Documents Prepared By:
RW BUILDING CONSULTANTS, INC.
P.O. Box 230 Valrico FL 33595
Phone No.: 813.659.9197
Florida Board of Professional Engineers
Certificate Of Authorization No. 9813
RFS
Lyndon F. Schmidt, P.E. No. 43409

PRODUCT: SLIDING GLASS DOOR
PART OR ASSEMBLY: SIDELITE PANEL SECTIONS

NO.	DATE	BY

DATE: 8/24/12
SCALE: N.T.S.
DWG. BY: JK
CHK. BY: LFS
DRAWING NO.: FL-15903.9
SHEET 4 OF 11



PRODUCT:

SLIDING GLASS DOOR

PART OR ASSEMBLY:

CORNER DETAILS

DATE: 8/24/12

SCALE: N.T.S.

DWG. BY: JK

CHK. BY: LFS

DRAWING NO.: FL-15903.9

SHEET 5 OF 11

NO.

DATE

BY

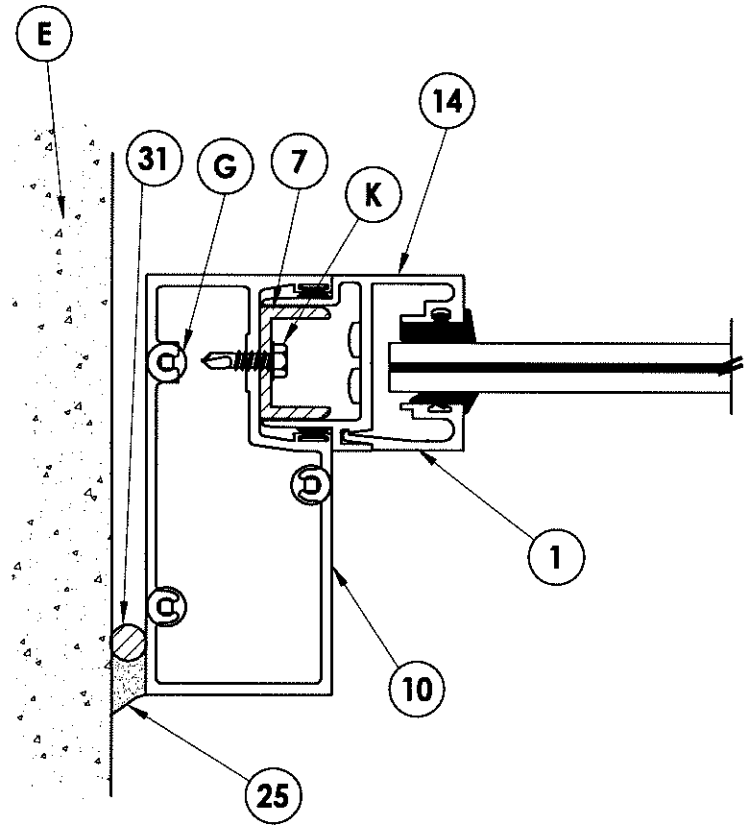
REVISIONS

Documents Prepared By:

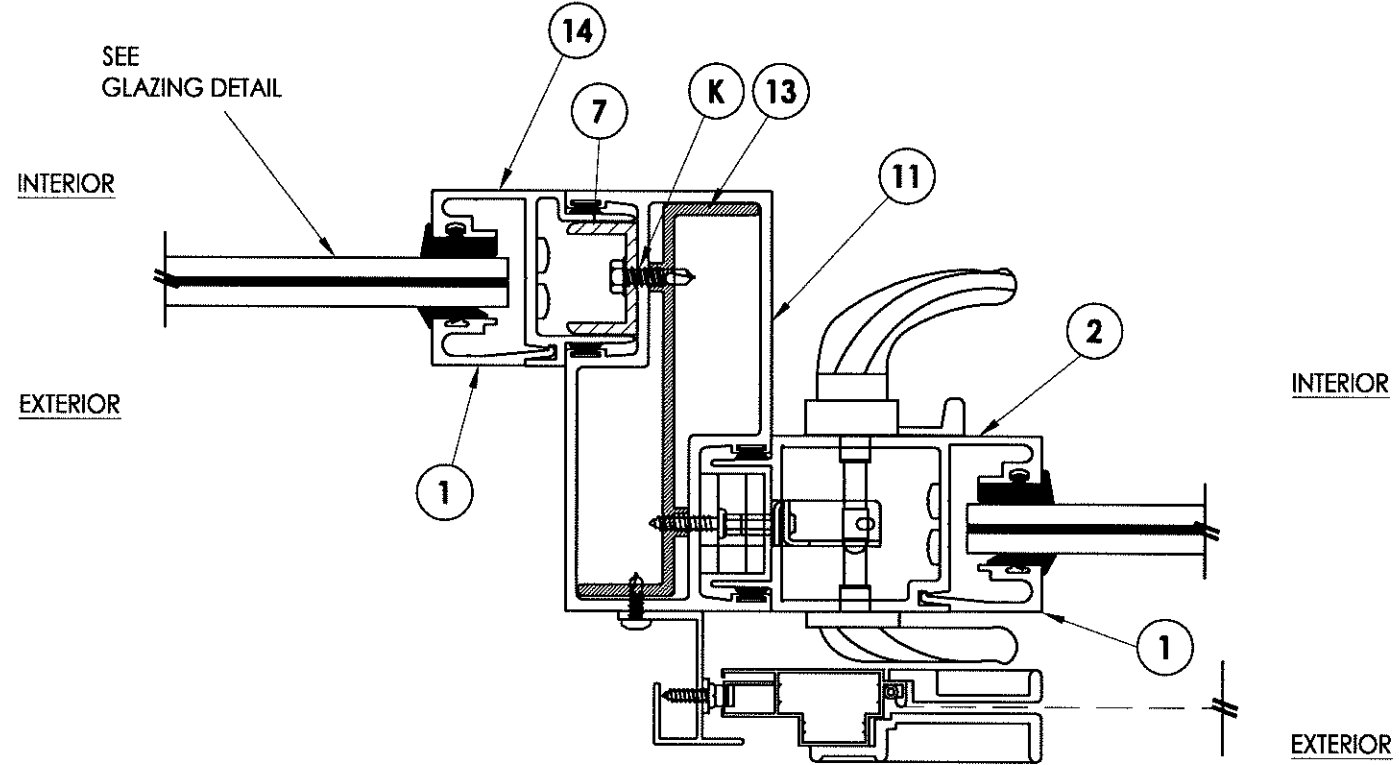
RW BUILDING CONSULTANTS, INC.
P.O. Box 230 Vairico FL 33595
Phone No.: 813.659.9197

Florida Board of Professional Engineers
Certificate Of Authorization No. 9813

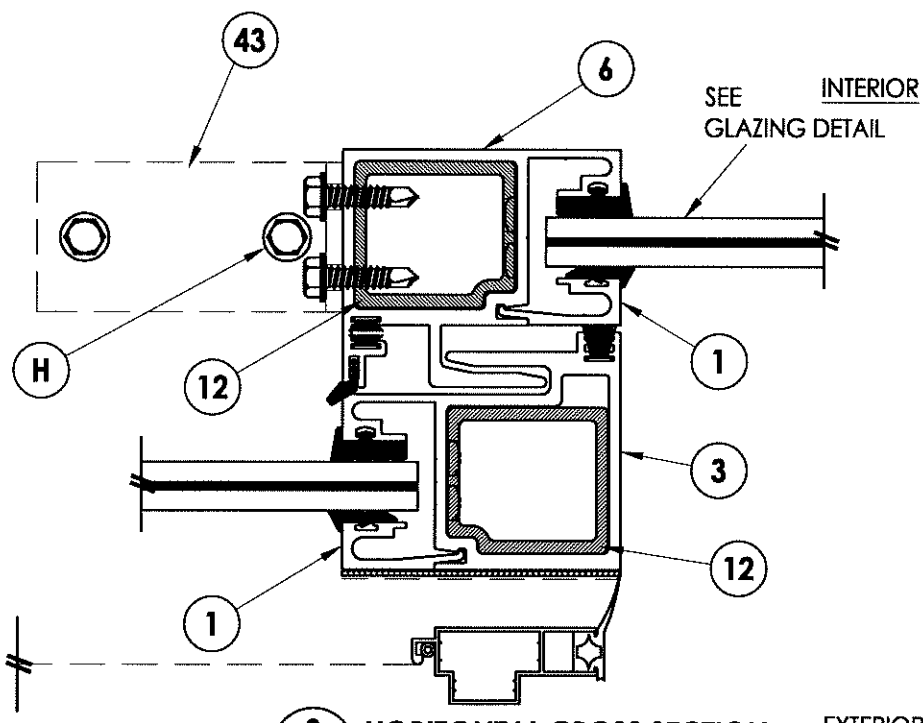
Lyndon F. Schmidt, P.E. No. 43409



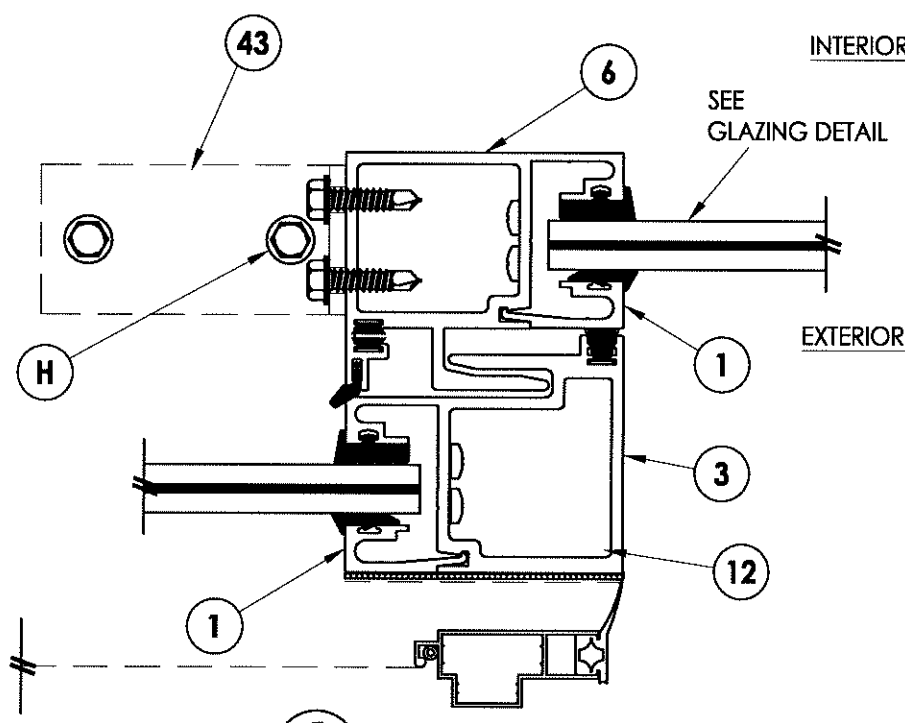
1 HORIZONTAL CROSS SECTION
6



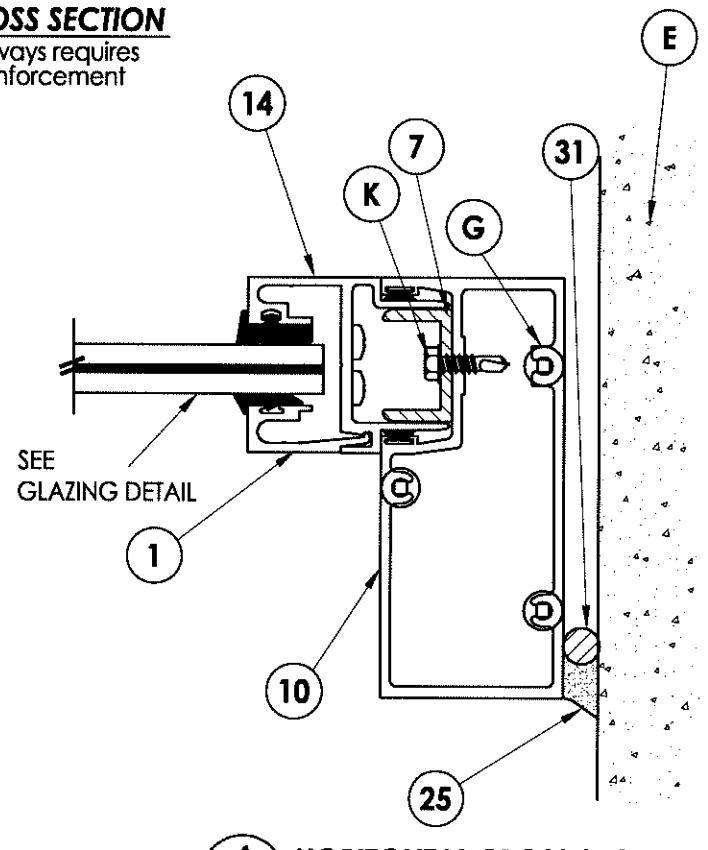
2 HORIZONTAL CROSS SECTION
6 The OXO Adaptor always requires the OXO Adaptor reinforcement



3 HORIZONTAL CROSS SECTION
6 With Reinforcement



5 HORIZONTAL CROSS SECTION
6 Without Reinforcement



4 HORIZONTAL CROSS SECTION
6

Documents Prepared By:
RW BUILDING CONSULTANTS, INC.
 P.O. Box 230 Valrico FL 33595
 Phone No.: 813.659.9197
 Florida Board of Professional Engineers
 Certificate Of Authorization No. 9813
 Lyndon F. Schmidt, P.E. No. 43409

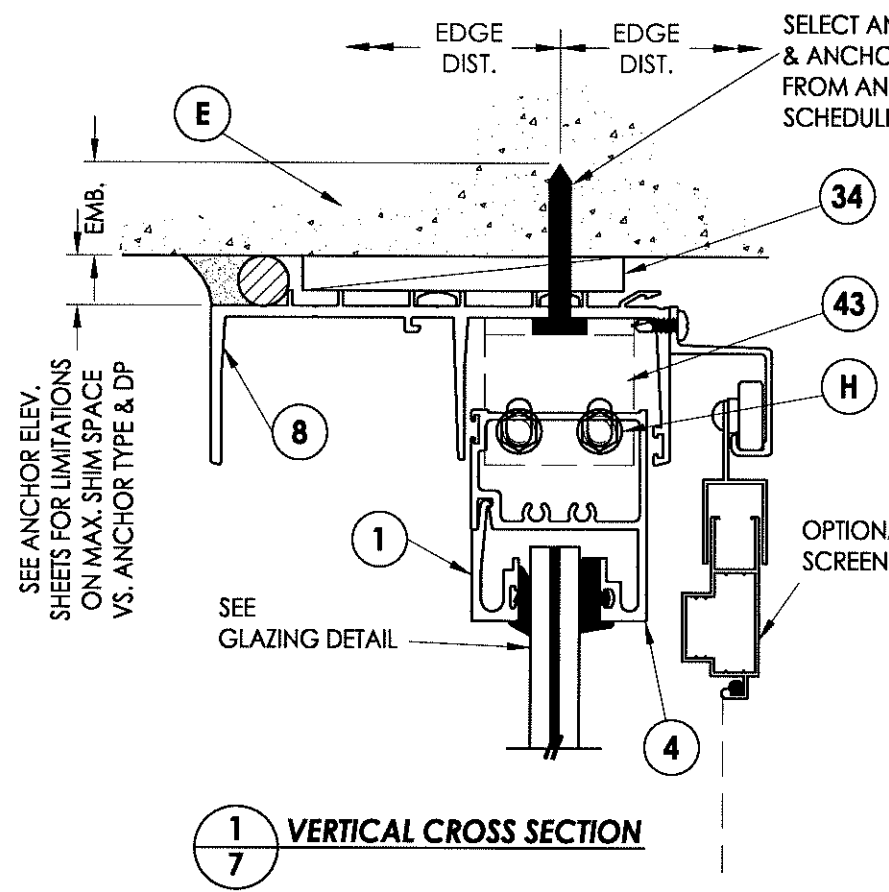
PRODUCT: SLIDING GLASS DOOR
 PART OR ASSEMBLY: HORIZONTAL CROSS SECTION

NO.	DATE	BY

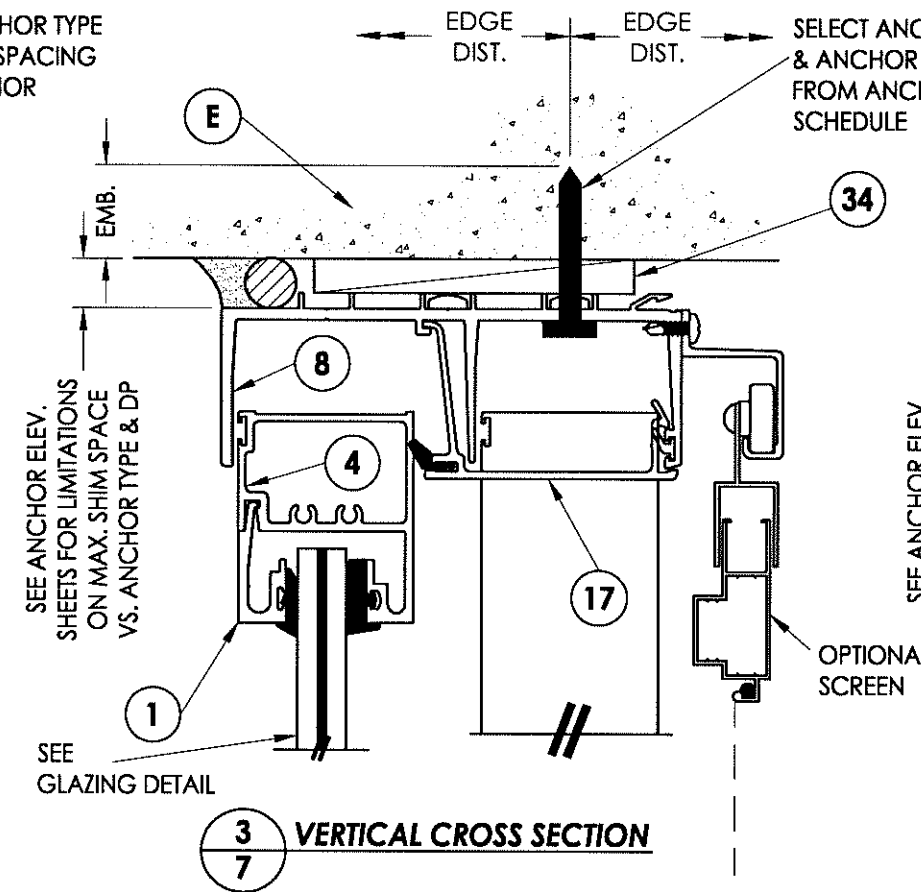
REVISIONS

DATE: 8/24/12
 SCALE: N.T.S.
 DWG. BY: JK
 CHK. BY: LFS
 DRAWING NO.: FL-15903.9
 SHEET 6 of 11

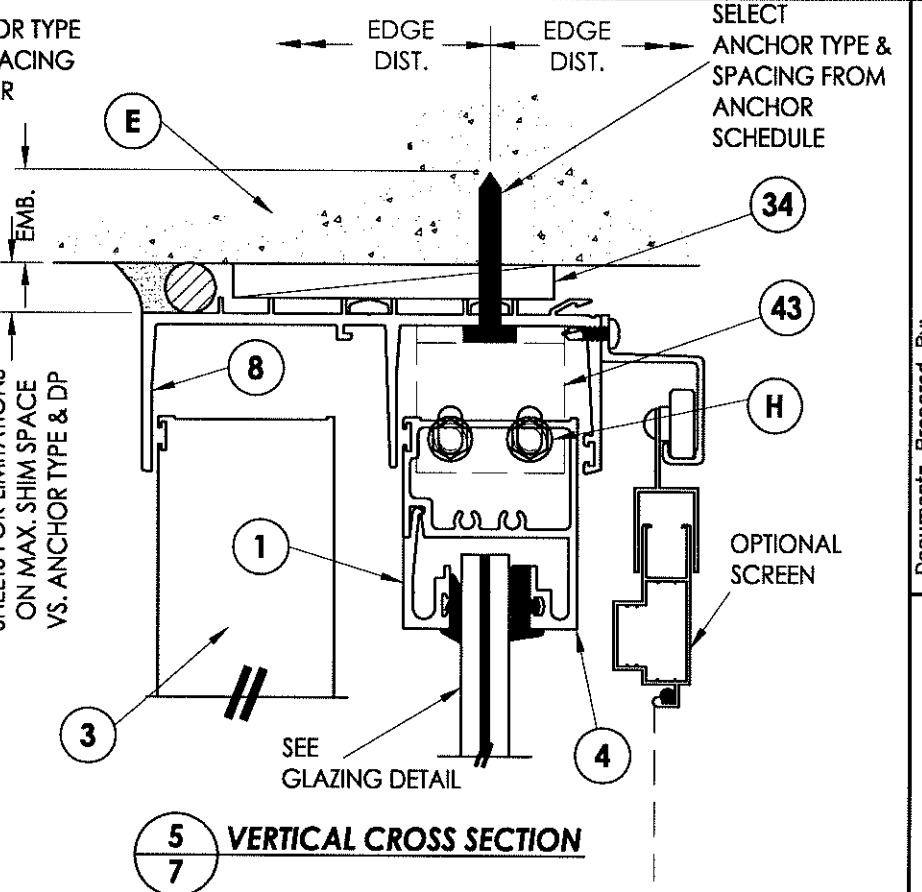
© 2012 R.W. BUILDING CONSULTANTS INC.



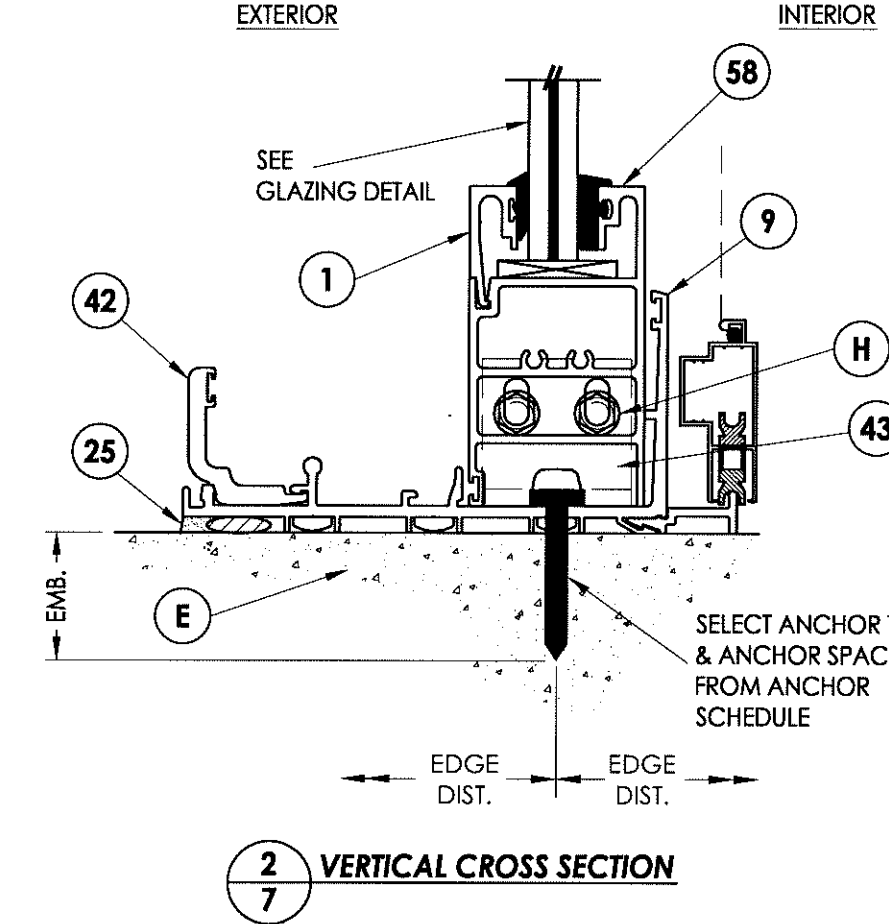
1
7 VERTICAL CROSS SECTION



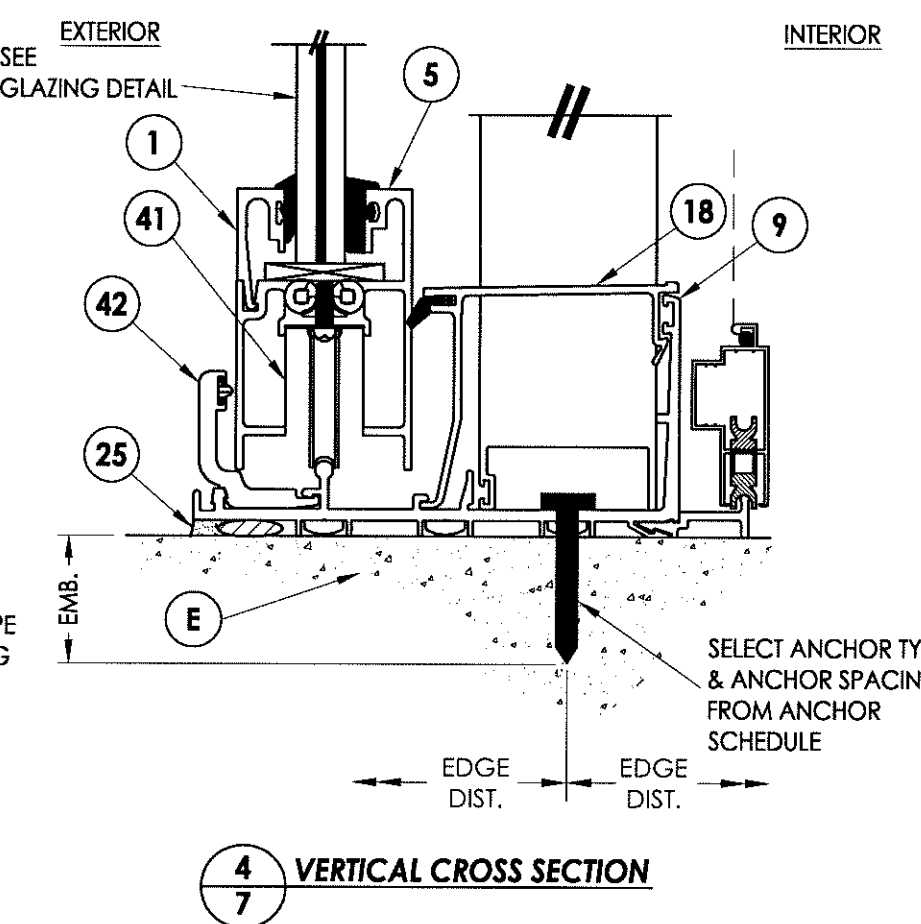
3
7 VERTICAL CROSS SECTION



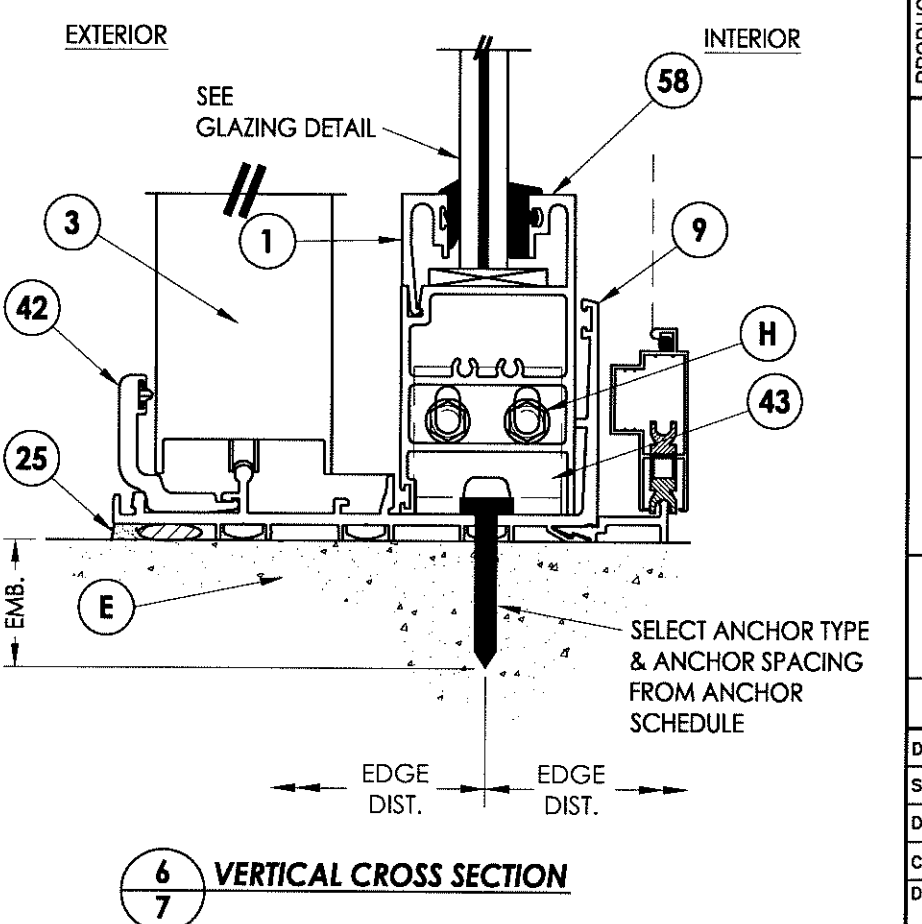
5
7 VERTICAL CROSS SECTION



2
7 VERTICAL CROSS SECTION



4
7 VERTICAL CROSS SECTION



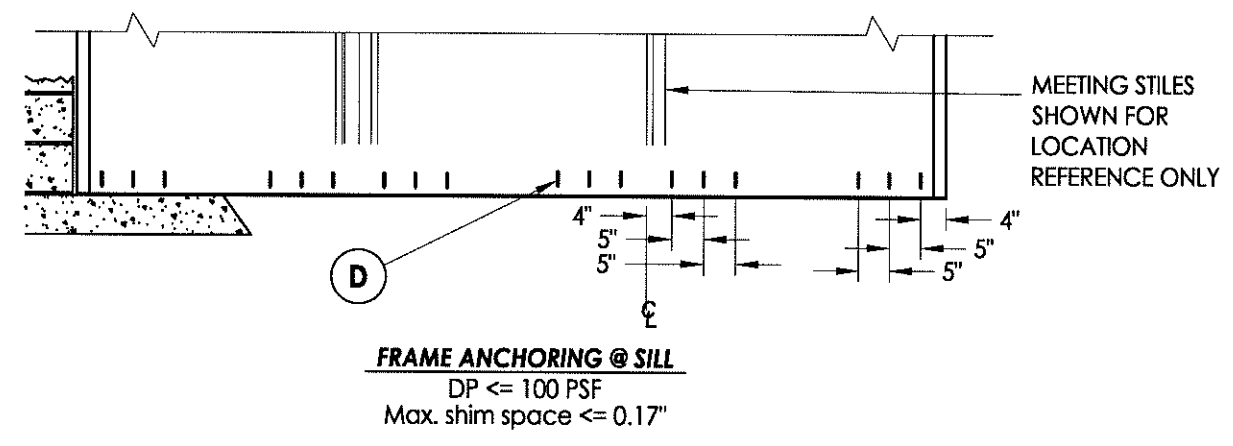
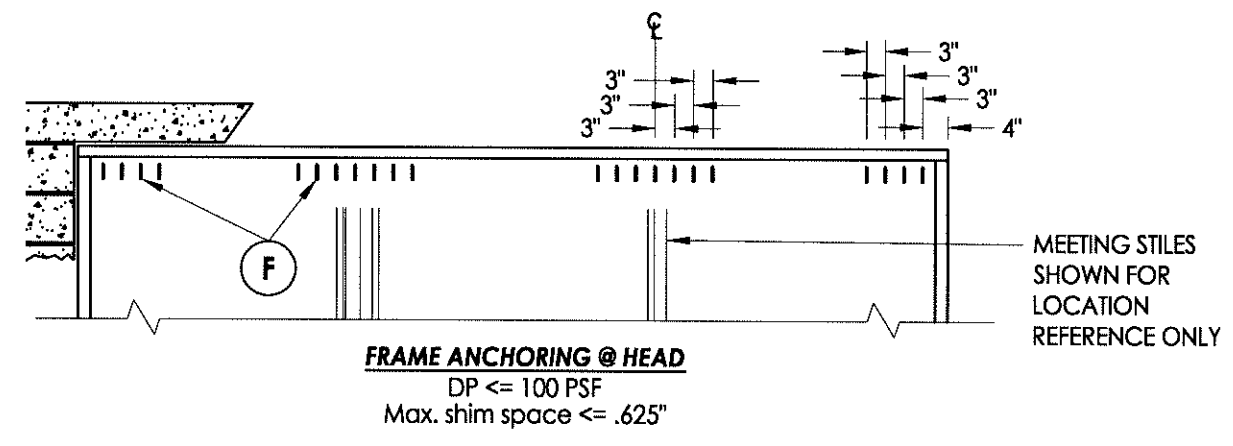
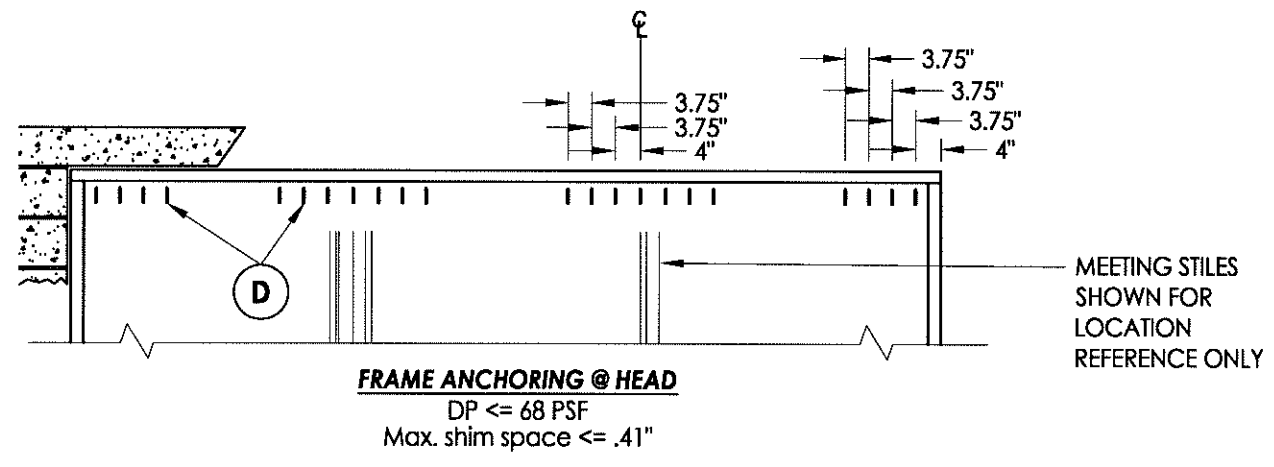
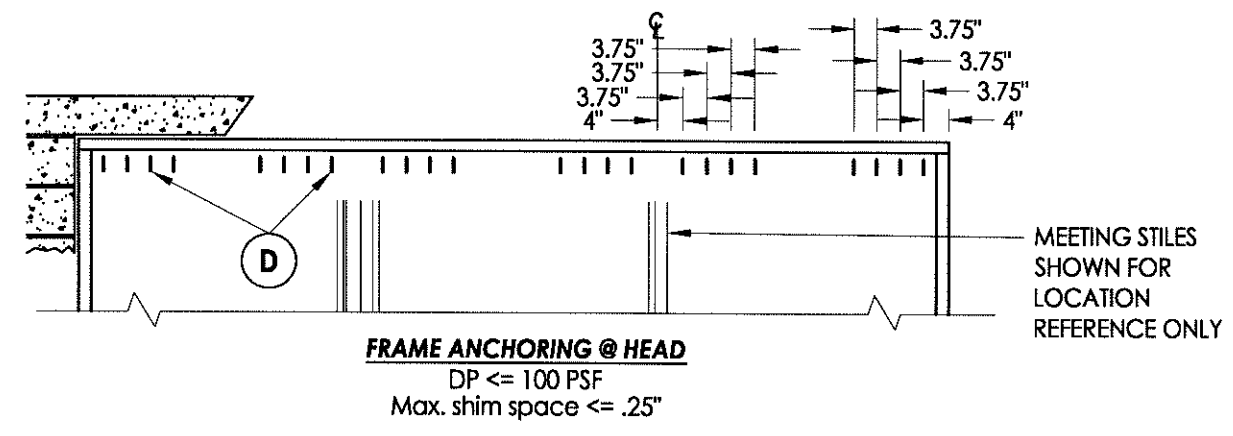
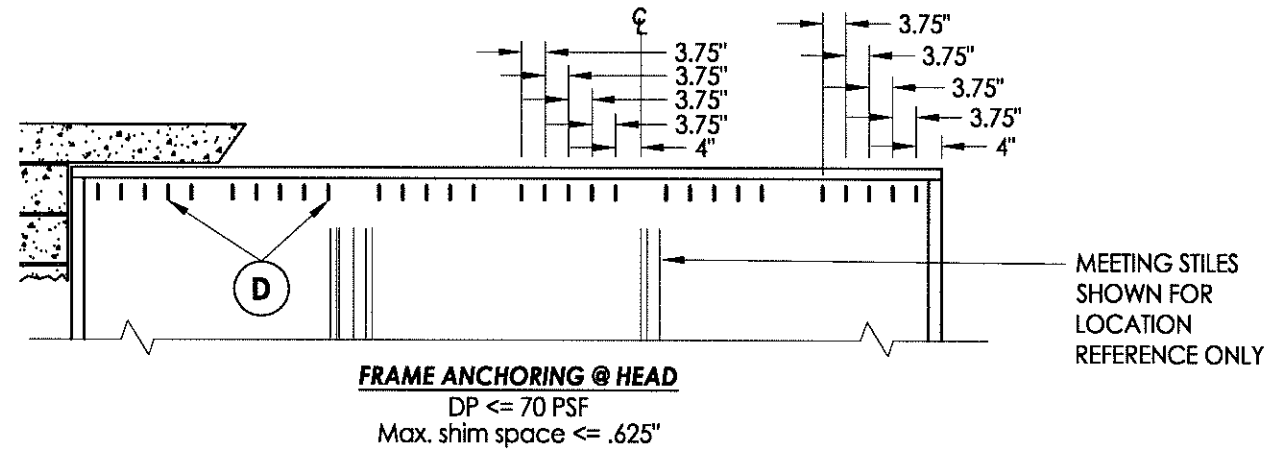
6
7 VERTICAL CROSS SECTION

Documents Prepared By:
RW BUILDING CONSULTANTS, INC.
 P.O. Box 230 Vairco FL 33595
 Phone No.: 813.659.9197
 Florida Board of Professional Engineers
 Certificate Of Authorization No. 9813
 Lyndon F. Schmidt, P.E. No. 43409

PRODUCT: SLIDING GLASS DOOR
 PART OR ASSEMBLY:
 VERTICAL CROSS SECTION

NO.	DATE	BY

DATE: 8/24/12
 SCALE: N.T.S.
 DWG. BY: JK
 CHK. BY: LFS
 DRAWING NO.: FL-15903.9
 SHEET 7 of 11



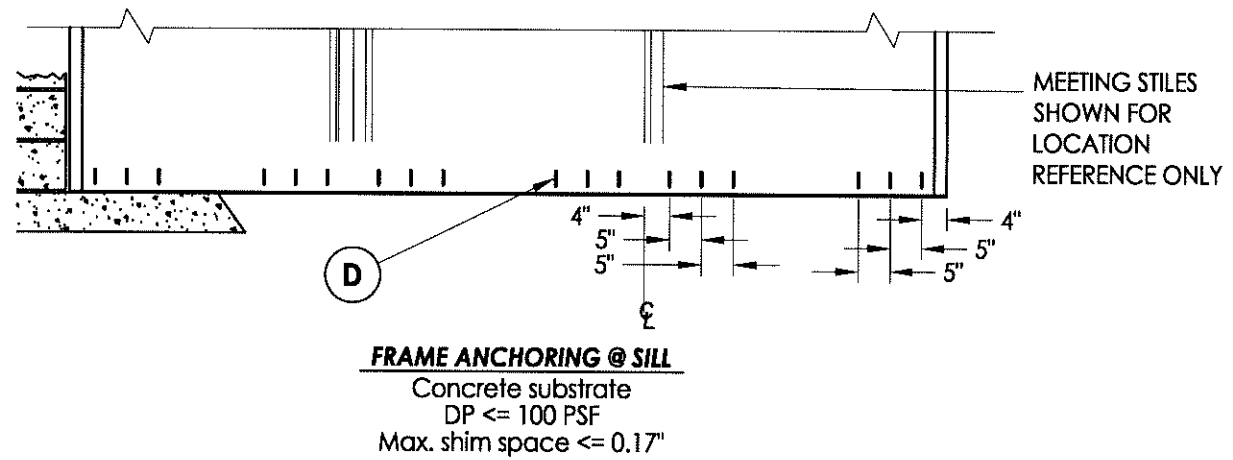
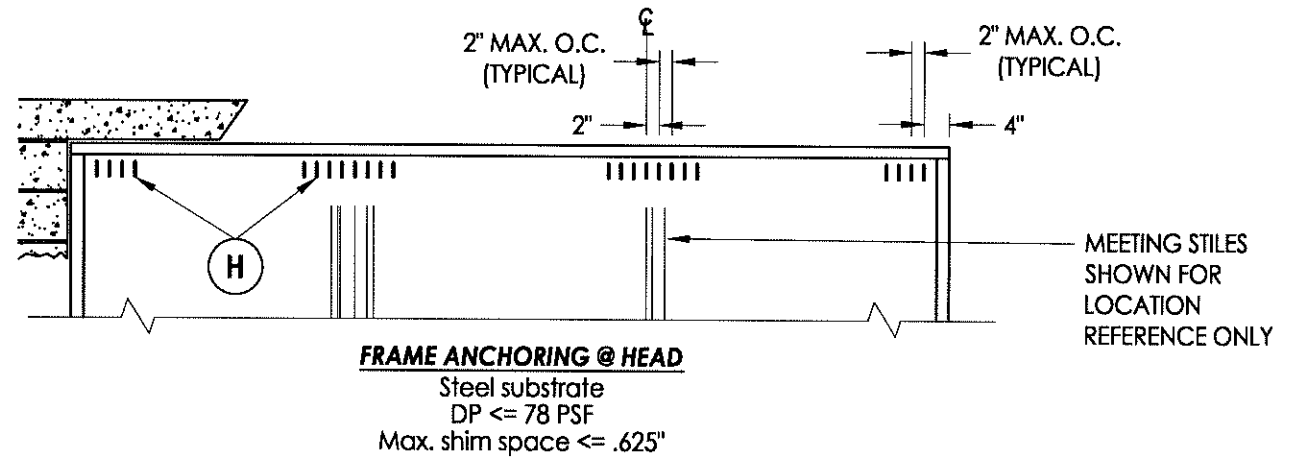
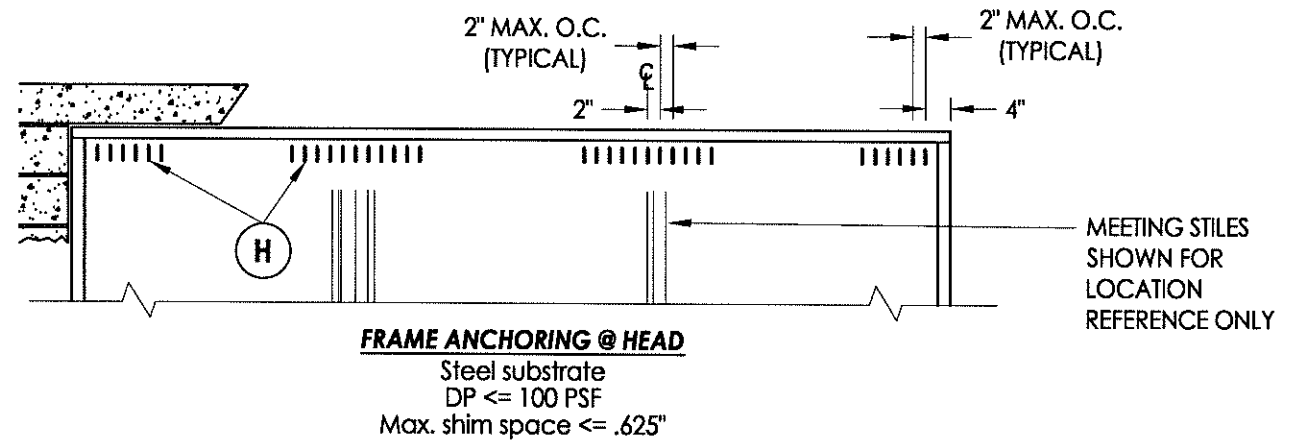
SUBSTRATE		ANCHOR SCHEDULE
CONCRETE	D	5/16" x 2-3/4" ITW (XL) HWH concrete screw with 1.75" Min. embedment, 4" minimum edge distance and 3.75" minimum clearance to adjacent concrete anchors. Concrete is 2,899 PSI minimum conforming to ACI 301.
	F	3/8" diameter x 2-1/4" ITW Dyna-Bolt sleeve anchor with 1.5" minimum embedment, 2.5" minimum edge distance and 3.0" minimum clearance to adjacent concrete screws. Concrete is 2,000 PSI minimum conforming to ACI 301.

Documents Prepared By: **RW** BUILDING CONSULTANTS, INC.
 P.O. Box 230 Vairico FL 33595
 Phone No.: 813.659.9197
 Florida Board of Professional Engineers
 Certificate Of Authorization No. 9813
 Lyndon F. Schmidt, P.E. No. 43409

PRODUCT:	SLIDING GLASS DOOR	
PART OR ASSEMBLY:	ANCHORING CONCRETE SUBSTRATE	
NO.	DATE	BY
REVISIONS		
DATE:	8/24/12	
SCALE:	N.T.S.	
DWG. BY:	JK	
CHK. BY:	LFS	
DRAWING NO.:	FL-15903.9	
SHEET	8 OF 11	

© 2012 R.W. BUILDING CONSULTANTS INC.

SUBSTRATE	ANCHOR SCHEDULE	
CONCRETE	(D)	5/16" x 2-3/4" ITW (XL) HWH concrete screw with 1.75" Min. embedment, 4" minimum edge distance and 3.75" minimum clearance to adjacent concrete anchors. Concrete is 2,899 PSI minimum conforming to ACI 301.
STEEL	(H)	1/4"-20 HWH Hilti KWIK PRO self-drilling screws. Steel with 0.125" minimum wall thickness conforming to ASTM A500 Grade B, Fy = 46,000 PSI & Fu = 58,000 PSI or ASTM A653, Fy = 33,000 PSI, Fu = 45,000 PSI. Minimum embedment of 3 threads through steel substrate.

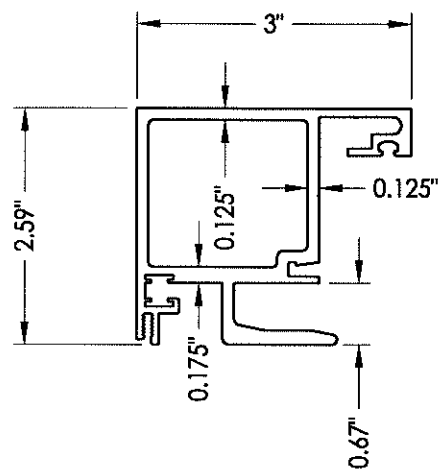


Documents Prepared By:
RW BUILDING CONSULTANTS, INC.
 P.O. Box 230 Valrico FL 33595
 Phone No.: 813.659.9197
 Florida Board of Professional Engineers
 Certificate Of Authorization No. 9813
Lyndon F. Schmidt
 Lyndon F. Schmidt, P.E. No. 43409

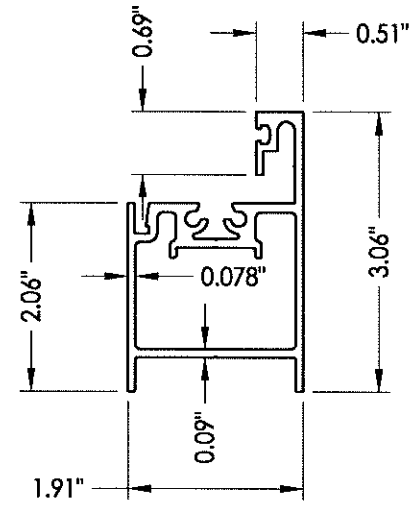
PRODUCT: SLIDING GLASS DOOR
 PART OR ASSEMBLY: ANCHORING STEEL SUBSTRATE

NO.	DATE	BY	REVISIONS

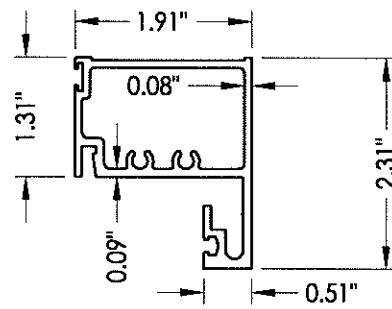
DATE: 8/24/12
 SCALE: N.T.S.
 DWG. BY: JK
 CHK. BY: LFS
 DRAWING NO.: FL-15903.9
 SHEET 9 of 11



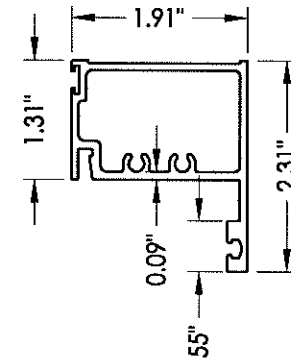
6 INTERLOCK STILE - FIXED PANEL
9/16" Glass



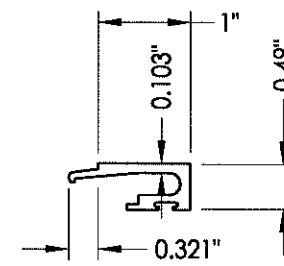
5 BOTTOM RAIL - MOVING PANEL
9/16" Glass



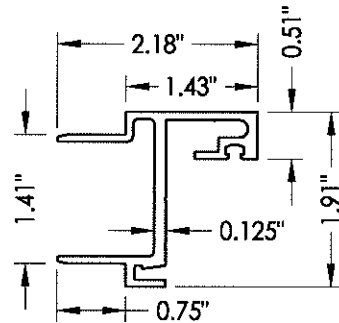
4 TOP RAIL
9/16" Glass



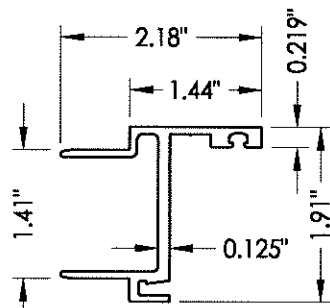
54 I.G. TOP RAIL
1-5/16" Glass



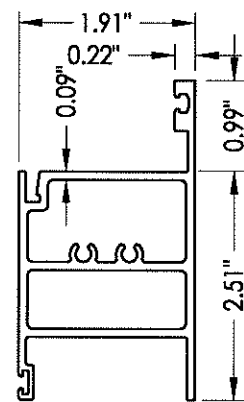
1 GLAZING BEAD
9/16" Glass



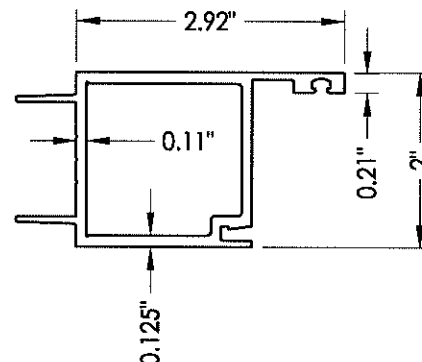
14 FIXED PANEL STILE
9/16" Glass



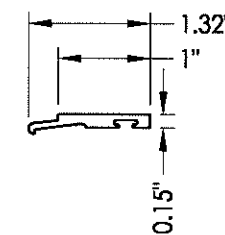
52 I.G. FIXED PANEL STILE
1-5/16" Glass



49 I.G. BOTTOM RAIL - FIXED PANEL
1-5/16" GLASS



55 I.G. LEAD STILE
1-5/16" Glass



51 I.G. GLAZING BEAD
1-5/16" Glass



30 WEDGE GASKET



28 PRE-SET GASKET



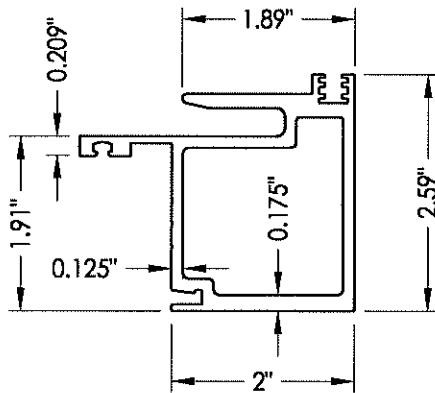
29 PRE-SET GASKET



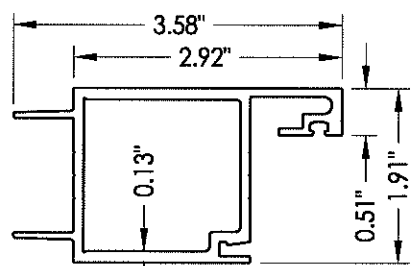
59 FOAM CAULK STOP



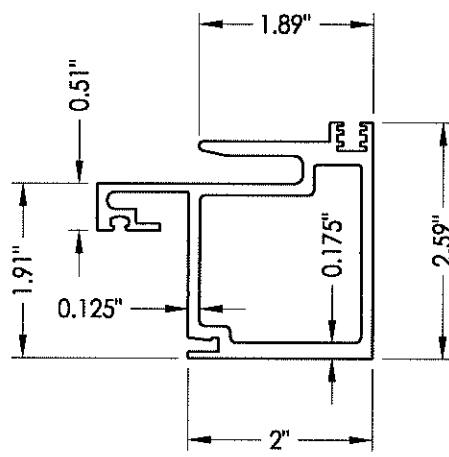
61 WEDGE



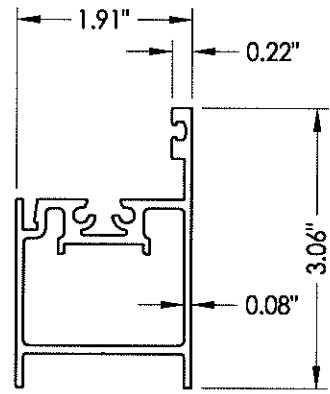
53 I.G. INTERLOCK STILE - MOVING PANEL
1-5/16" Glass



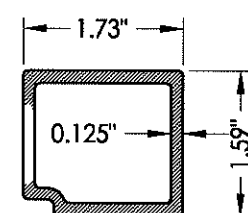
2 LEAD STILE
9/16" Glass



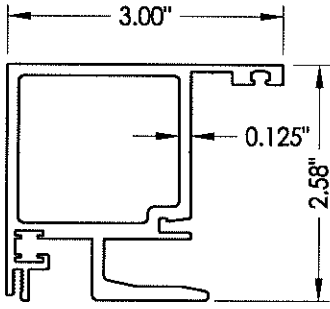
3 INTERLOCK STILE - MOVING PANEL
9/16" Glass



56 I.G. BOTTOM RAIL - MOVING PANEL
1-5/16" Glass



12 REINFORCEMENT



57 INTERLOCK STILE - FIXED PANEL
1-5/16" Glass

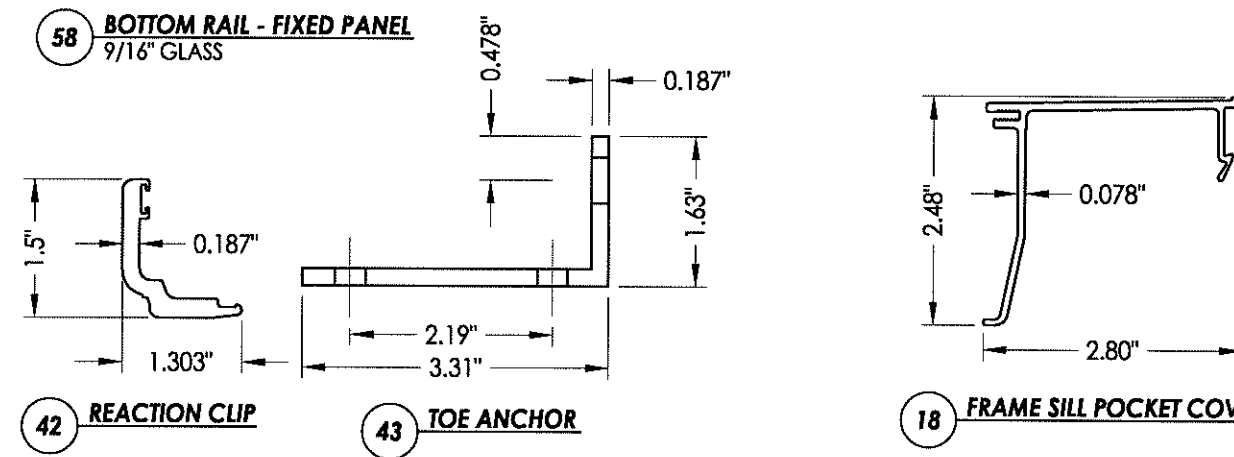
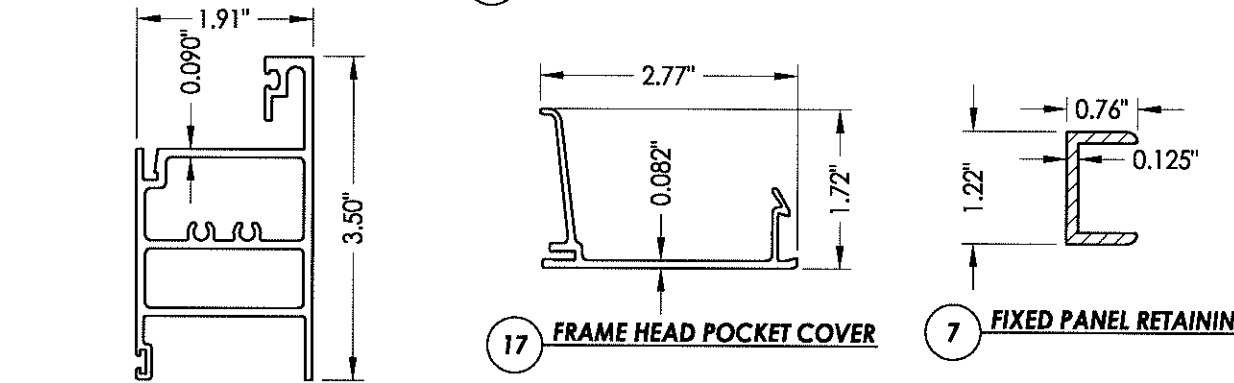
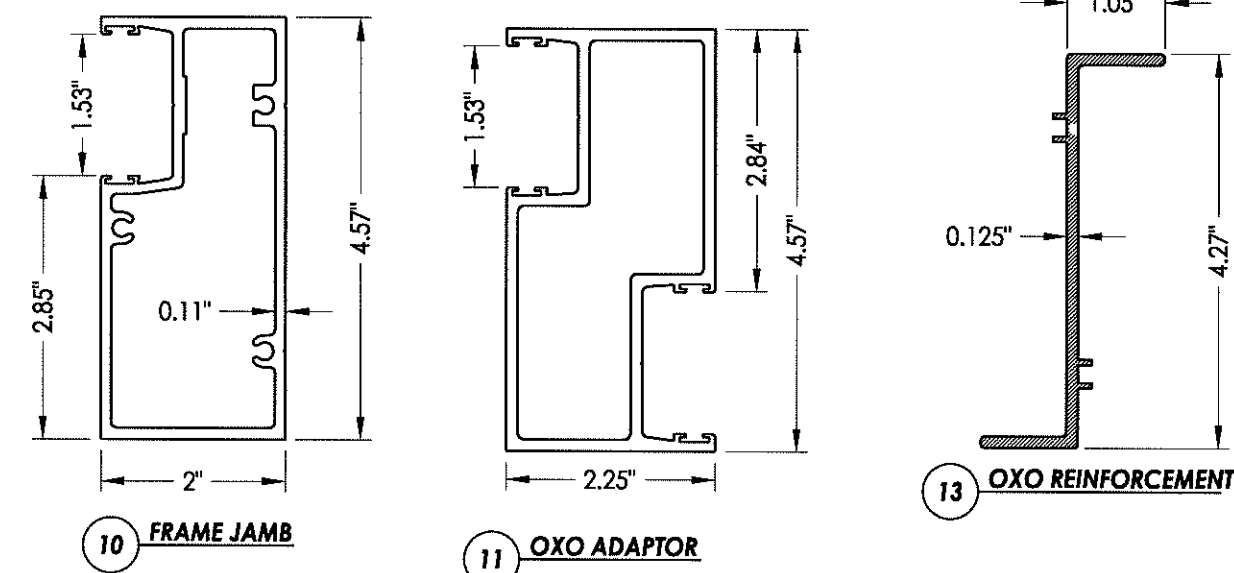
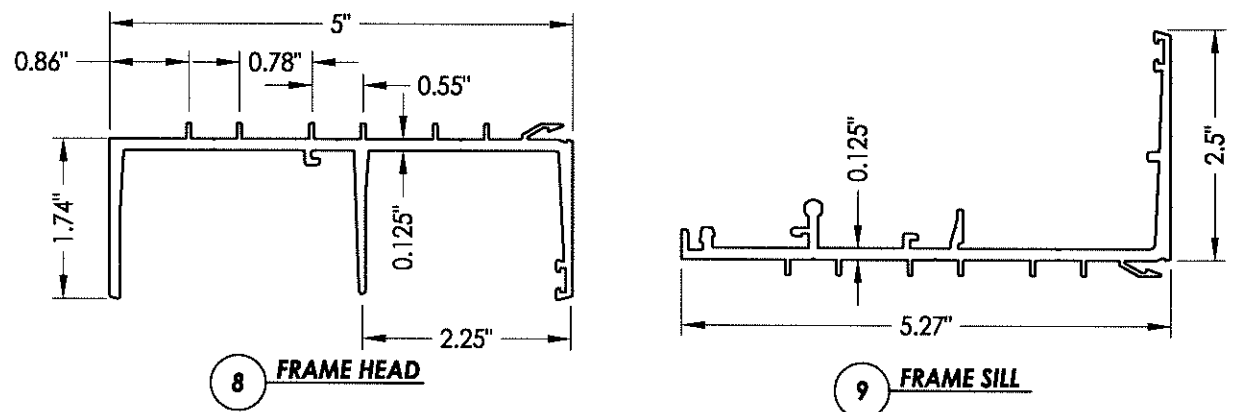
Documents Prepared By:
RW BUILDING CONSULTANTS, INC.
 P.O. Box 230 Vairico FL 33595
 Phone No.: 813.659.9197
 Florida Board of Professional Engineers
 Certificate Of Authorization No. 9813
 Lyndon F. Schmidt, P.E. No. 43409

PRODUCT:	SLIDING GLASS DOOR
PART OR ASSEMBLY:	COMPONENTS

NO.	DATE	BY

DATE:	8/24/12
SCALE:	N.T.S.
DWG. BY:	JK
CHK. BY:	LFS
DRAWING NO.:	FL-15903.9
SHEET	10 of 11

BILL OF MATERIALS		
ITEM	DESCRIPTION	MATERIAL
D	5/16" X 2-3/4" ITW HWH CONCRETE SCREW	STEEL
E	MASONRY - 3,192 PSI MIN. CONCRETE CONFORMING TO ACI 301 OR HOLLOW BLOCK CONFORMING TO ASTM C90	CONCRETE
F	3/8" X 2-1/2" DYNA BOLT SLEEVE ANCHOR	STL. STEEL
G	#10 X 1-1/2" SQ-PH ASSEMBLY SCREW	STL. STEEL
H	1/4"-20 HWH HILTI KWIK PRO SELF-DRILLING SCREW (WITH KWIK-COTE COATING)	STL. STEEL
K	#10 X 3/4" HH-SELF TAP SCREW	STL. STEEL
1	GLAZING BEAD 6063-T6 (9/16")	ALUM
2	LEAD STILE 6063-T6 (9/16")	ALUM
3	INTERLOCK STILE - MOVING PANEL 6005-T5 (9/16")	ALUM
4	TOP RAIL 6063-T6 (9/16")	ALUM
5	BOTTOM RAIL - MOVING PANEL 6063-T6 (9/16")	ALUM
6	INTERLOCK STILE - FIXED PANEL 6005-T6 (9/16")	ALUM
7	FIXED PANEL RETAINING CLIP 6063-T6	ALUM
8	FRAME HEAD 6063-T6	ALUM
9	FRAME SILL 6063-T6	ALUM
10	FRAME JAMB 6063-T6	ALUM
11	OXO ADAPTOR 6005-T5	ALUM
12	REINFORCEMENT 6005-T5	ALUM
13	OXO REINFORCEMENT 6005-T5	ALUM
14	FIXED PANEL STILE 6063-T6 (9/16")	ALUM
17	FRAME HEAD POCKET COVER 6063-T6	ALUM
18	FRAME SILL POCKET COVER 6063-T6	ALUM
25	WEATHERSEAL SEALANT (WS001) DOW 795	SILICONE
27	GLAZING SPACER	-
28	GASKET, EPDM CLOSED CELL FOAM (9/16" STRUCTURAL GLAZING)	EPDM
29	GASKET, EPDM CLOSED CELL FOAM (1-5/16" GLAZING)	EPDM
30	WEDGE 70±5 EPDM (1-5/16" GLAZING)	EPDM
31	BACKER ROD - CLOSED CELL EXTRUDED FOAM	POLYETHYLENE
34	SHIM	-
35	SETTING/EDGE BLOCK	PLASTIC
41	ROLLER ASSM.	STL. STEEL
42	REACTION CLIP 6005-T5	ALUM
43	TOE ANCHOR 6005-T5	STEEL
49	BOTTOM RAIL - FIXED PANEL 6063-T6 (1-5/16")	ALUM
51	I.G. GLAZING BEAD 6063-T6 (1-5/16")	ALUM
52	I.G. FIXED PANEL STILE 6063-T6 (1-5/16")	ALUM
53	I.G. INTERLOCK STILE - MOVING PANEL 6063-T6 (1-5/16")	ALUM
54	I.G. TOP RAIL 6063-T6 (1-5/16")	ALUM
55	I.G. LEAD STILE 6063-T6 (1-5/16")	ALUM
56	I.G. BOTTOM RAIL - MOVING PANEL 6063-T6 (1-5/16")	ALUM
57	INTERLOCK STILE - FIXED PANEL (1-5/16")	ALUM
58	BOTTOM RAIL - FIXED PANEL 6063-T6 (9/16")	ALUM
59	CAULK STOP, EPDM CLOSED CELL FOAM (9/16" STRUCTURAL GLAZING)	EPDM
60	STRUCTURAL SILICONE DOW 995	SILICONE
61	WEDGE, 70±5 EPDM (9/16" GLAZING)	EPDM



Documents Prepared By:
RW BUILDING CONSULTANTS, INC.
 P.O. Box 230 Valrico FL, 33595
 Phone No.: 813.659.9197
 Florida Board of Professional Engineers
 Certificate Of Authorization No. 9813
 Lyndon F. Schmidt, P.E. No. 43409

PRODUCT: SLIDING GLASS DOOR
 PART OR ASSEMBLY: BILL OF MATERIALS & COMPONENTS

NO.	DATE	BY

DATE: 8/24/12
 SCALE: N.T.S.
 DWG. BY: JK
 CHK. BY: LFS
 DRAWING NO.: FL-15903.9
 SHEET 11 OF 11